



BCS Motor mowers, BCS 2-wheel tractors

710 PS

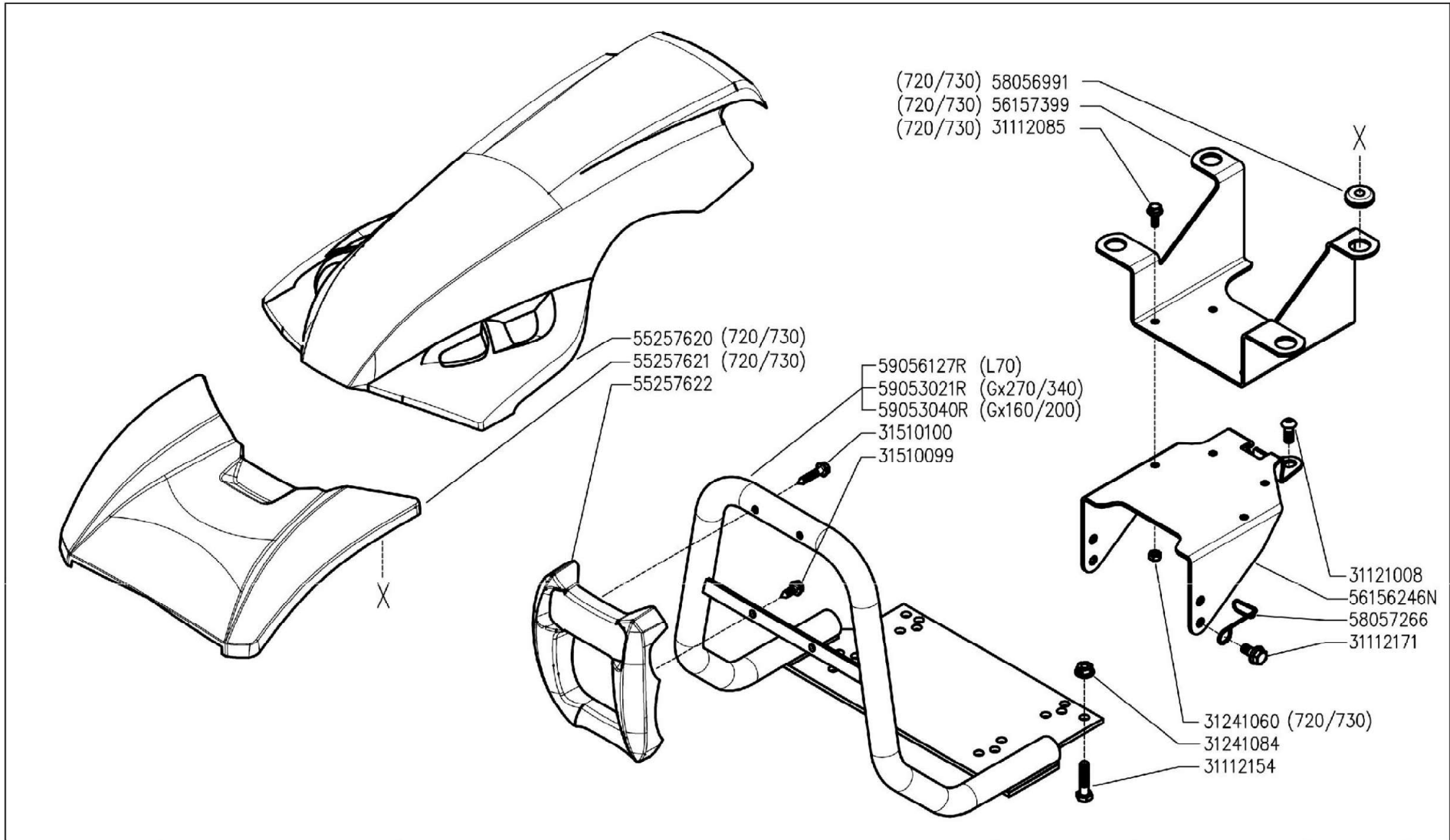
20/06/2021

| | |
|--|----|
| A70008 - 710 PS..... | 4 |
| A01_0_116772 - ENGINE PROTECTIONES..... | 6 |
| A.01.01.A0001_01 - A01_01 - ENGINE PROTECTIONES..... | 8 |
| A.01.01.A0001_02 - A01_03 - ENGINE PROTECTIONES..... | 10 |
| A.01.01.A0001_03 - A01_03 - ENGINE PROTECTIONES..... | 12 |
| B01_0_116809 - POWERSAFE CLUCH CONTROL..... | 14 |
| B01_1_124997 - POWERSAFE CLUCH CONTROL..... | 17 |
| B01_2_132294 - POWERSAFE CLUCH CONTROL..... | 20 |
| B.01.01.A0001_03 - POWERSAFE CLUCH CONTROL..... | 22 |
| C01_0_116836 - CYLINDER AND POWERSAFE CLUTCH..... | 24 |
| C01_1_125029 - CYLINDER AND POWERSAFE CLUTCH..... | 26 |
| D01_0_116850 - POWERSAFE FILTER UNIT..... | 28 |
| D01_1_132326 - POWERSAFE FILTER UNIT..... | 30 |
| D.01.01.A0001_02 - POWERSAFE FILTER AND UNIT..... | 32 |
| E01_0_116925 - POWERSAFE CLUTCH HUB..... | 34 |
| E01_1_132337 - POWERSAFE CLUTCH HUB..... | 36 |
| F01_0_116936 - ENGINE FLANGES..... | 38 |
| F01_1_132354 - ENGINE FLANGES..... | 40 |
| G01_0_116965 - GEARBOX..... | 42 |
| G.01.01.A0001_01 - GEARBOX..... | 44 |
| H01_0_116989 - GEARS..... | 46 |
| H.01.01.A0001_01 - GEARS..... | 49 |
| I01_0_117154 - WHEELS AXLE..... | 52 |
| J01_0_117387 - STEERING COLUMN..... | 54 |
| K01_0_117509 - HANDLEBAR..... | 56 |
| L01_0_117589 - HANDLEBAR CONTROLS..... | 58 |
| M01_0_117700 - CONTROLS..... | 60 |
| N01_0_117812 - BRAKE..... | 63 |
| P01_0_117834 - WHEELS..... | 65 |



| | |
|--|----|
| P01_1_132651 - WHEELS..... | 67 |
| Q01_0_117864 - ELECTRIC STARTER..... | 69 |
| Q01_1_136416 - ELECTRIC STARTER..... | 71 |
| R01_0_117889 - STICKERS..... | 73 |
| R02_0_117906 - STICKERS..... | 75 |
| R02_1_132700 - STICKERS..... | 77 |
| R.02.01.A0001_02 - STICKERS..... | 79 |
| R.02.01.A0001_03 - STICKERS..... | 81 |
| S.01.01.A0001_00 - ENGINE COVER KIT..... | 83 |





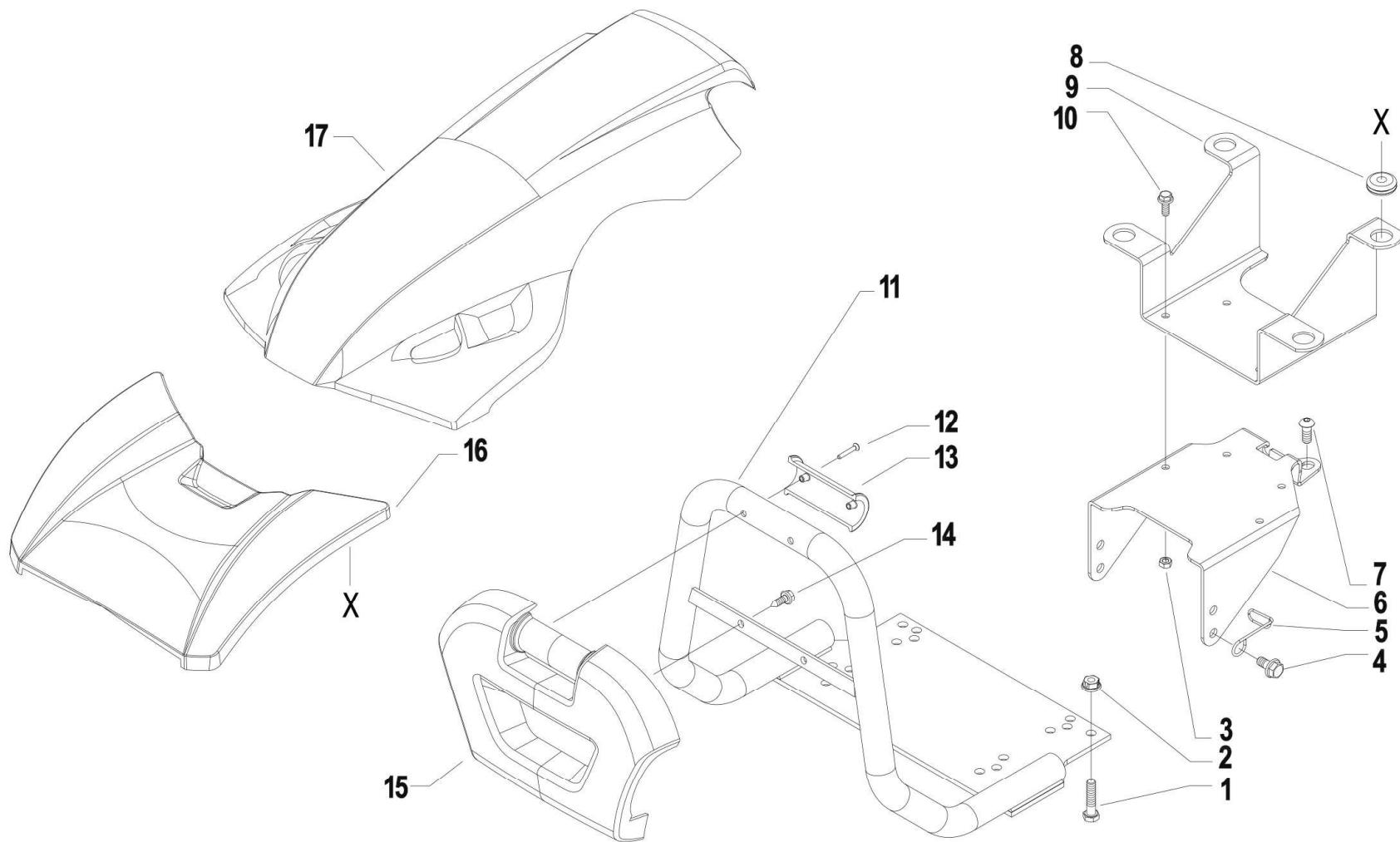
| | | | | | | | | |
|---|--|--|---|-----------------------------------|--|----|---------|------|
|  | 700 serie PS PowerSafe® | ENGINE PROTECTIONS PROTECCIONES MOTOR | PROTEZIONI MOTORE (710 / 720 / 730) | PROTECTIONS MOTEUR MOTORSCHUTZ | DALLA MACCHINA DE LA MAQUINA FROM THE MACHINE AB DER MASCHINE | N. | A01 | Rev. |
| | | | | | | | | 0 |
| | | | | | | | 05/2009 | |

DITE.BCS - Scala 1:5



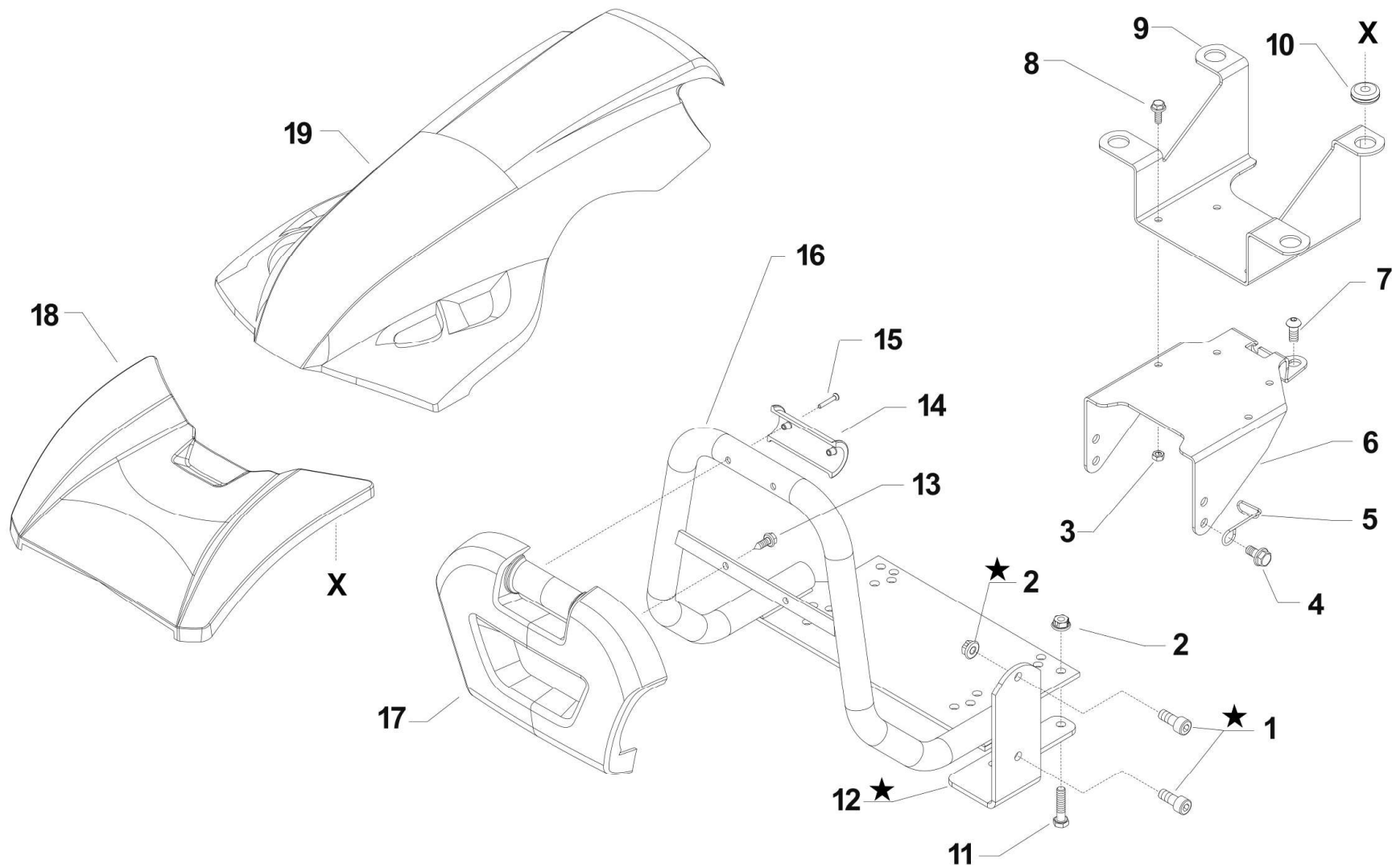
| Pos. | Id | Q.ty | Description | Note |
|-----------|-----------|------|------------------------------|------|
| 31112085 | 31112085 | 1 | SCREW TE M6X16 DIN 6921 8G | |
| 31112154 | 31112154 | 1 | SCREW TE M8X40 UNI 5739 8G | |
| 31112171 | 31112171 | 1 | SCREW TE C/F M8X16 DIN 6921 | |
| 31121008 | 31121008 | 1 | SCREW TBCEI M10X16 ISO 7380 | |
| 31241060 | 31241060 | 1 | HEXAGON SELFLOCK NUT M6 | |
| 31241084 | 31241084 | 1 | SELFLOCK NUT M8 6S | |
| 31510099 | 31510099 | 1 | RIBBED SCREW 6,3X38 UNI 6950 | |
| 31510100 | 31510100 | 1 | RIBBED SCREW 6,3X19 UNI 6950 | |
| 55257620 | 55257620 | 1 | GUARD | |
| 55257621 | 55257621 | 1 | GUARD | |
| 55257622 | 55257622 | 1 | GUARD | |
| 56157399 | 56157399 | 1 | HOLDER | |
| 58056991 | 58056991 | 1 | CABLE GLAND 90/200/30 | |
| 58057266 | 58057266 | 1 | HOLDER | |
| 56156246N | 56156246N | 1 | TUNNEL | |
| 59053021R | 59053021R | 1 | COMPLETE BUMPERS | |
| 59053040R | 59053040R | 1 | COMPLETE BUMPERS | |
| 59056127R | 59056127R | 1 | COMPLETE BUMPERS | |





| Pos. | Id | Q.ty | Description | Note |
|------|-----------|------|---------------------------------------|-------------------|
| 1 | 31112154 | 1 | SCREW TE M8X40 UNI 5739 8G | |
| 2 | 31241084 | 1 | SELFLOCK NUT M8 6S | |
| 3 | 31241060 | 1 | HEXAGON SELFLOCK NUT M6 | |
| 4 | 31112171 | 1 | SCREW TE C/F M8X16 DIN 6921 | |
| 5 | 58057266 | 1 | HOLDER | |
| 6 | 56156246N | 1 | TUNNEL | |
| 7 | 31121008 | 1 | SCREW TBCEI M10X16 ISO 7380 | |
| 8 | 58056991 | 1 | CABLE GLAND 90/200/30 | |
| 9 | 56157399 | 1 | HOLDER | |
| 10 | 31112085 | 1 | SCREW TE M6X16 DIN 6921 8G | |
| 11 | 59056127H | 1 | BUMPER FOR 740 | For engine L70 |
| 11 | 59053021H | 1 | BUMPER C.15LD-ACT-GX ALUM. | |
| 11 | 59053040H | 1 | ALU COMPLETE BUMPER GX160-200 | |
| 12 | 31100451 | 1 | SCREW 3,5X25 | Replaces 55257622 |
| 13 | 55257522 | 1 | HALF BEARING | Replaces 55257622 |
| 14 | 31510100 | 1 | RIBBED SCREW 6,3X19 UNI 6950 | Replaces 55257622 |
| 15 | 55257521 | 1 | BCS FRONT PLASTIC DESCRIPTION MC 2010 | Replaces 55257622 |
| 16 | 55257621 | 1 | GUARD | |
| 17 | 55257620 | 1 | GUARD | |



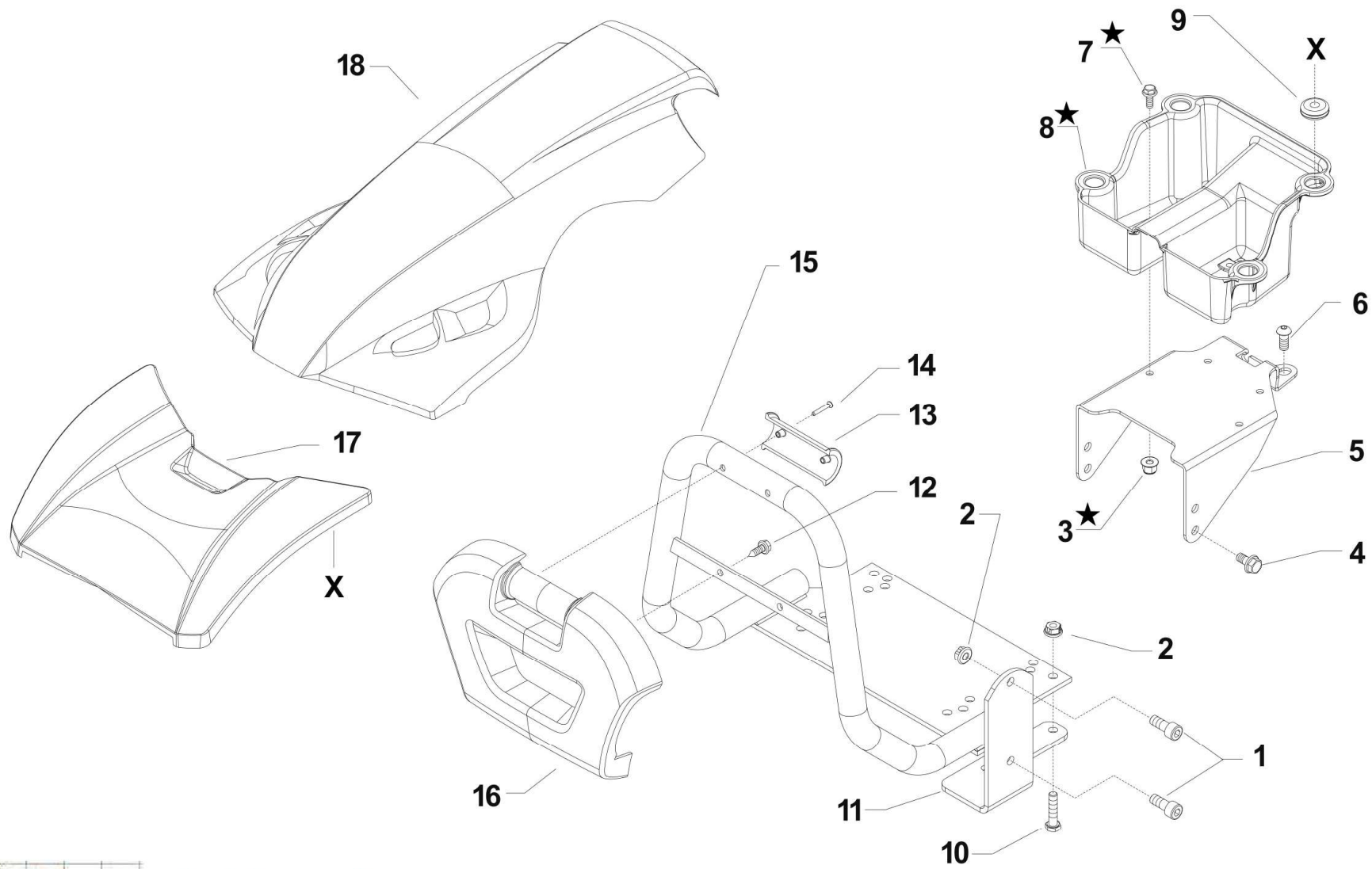


i = info - stop 2 sec. ★ = new part



| Pos. | Id | Q.ty | Description | Note |
|------|-----------|------|---------------------------------------|-------------------------------|
| 1 | 31152081 | | SCREW TCEI M8X20 UNI 5931 | KD350 |
| 2 | 31241084 | | SELFLOCK NUT M8 6S | KD350 |
| 3 | 31241060 | | HEXAGON SELFLOCK NUT M6 | 720 - 728 - 730 - 730ED - 738 |
| 4 | 31112171 | | SCREW TE C/F M8X16 DIN 6921 | |
| 5 | 58057266 | | HOLDER | |
| 6 | 56156246N | | TUNNEL | |
| 7 | 31121008 | | SCREW TBCEI M10X16 ISO 7380 | |
| 8 | 31112085 | | SCREW TE M6X16 DIN 6921 8G | 720 - 728 - 730 - 730ED - 738 |
| 9 | 56157399 | | HOLDER | 720 - 728 - 730 - 730ED - 738 |
| 10 | 58056991 | | CABLE GLAND 90/200/30 | 720 - 728 - 730 - 730ED - 738 |
| 11 | 31112154 | | SCREW TE M8X40 UNI 5739 8G | |
| 12 | 56156136Z | | BUMPER FIXING SUPPORT | KD350 |
| 13 | 31510100 | | RIBBED SCREW 6,3X19 UNI 6950 | |
| 14 | 55257522 | | HALF BEARING | |
| 15 | 31100451 | | SCREW 3,5X25 | |
| 16 | 59053021H | | BUMPER C.15LD-ACT-GX ALUM. | GX270 - GX340 |
| 16 | 59053040H | | ALU COMPLETE BUMPER GX160-200 | GX160 - GX200 - EX21 |
| 16 | 59056127H | | BUMPER FOR 740 | L70 |
| 17 | 55257521 | | BCS FRONT PLASTIC DESCRIPTION MC 2010 | |
| 18 | 55257621 | | GUARD | 720 - 728 - 730 - 730ED - 738 |
| 19 | 55257620 | | GUARD | 720 - 728 - 730 - 730ED - 738 |



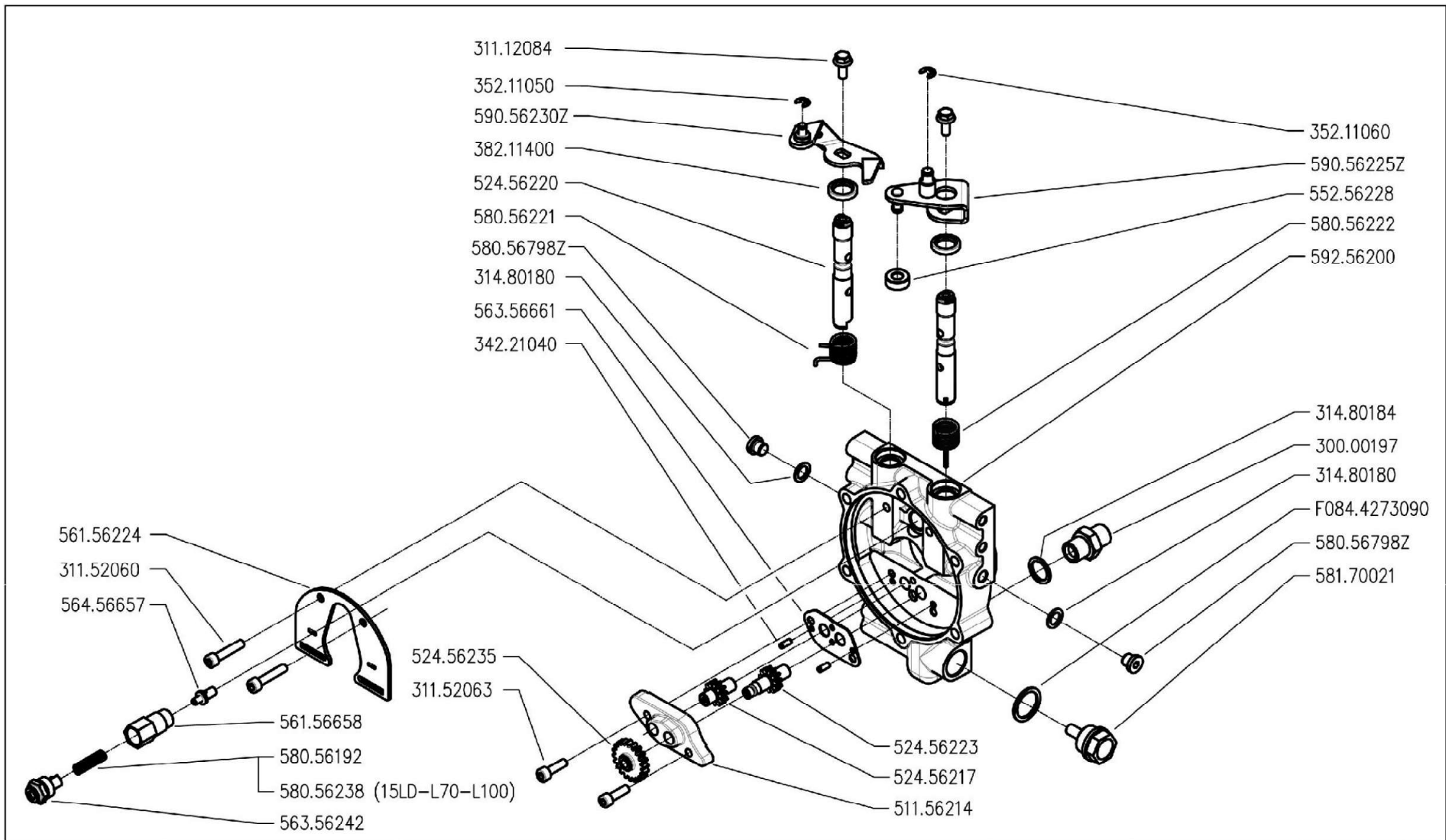



i = info - stop 2 sec. ★ = new part



| Pos. | Id | Q.ty | Description | Note |
|------|-----------|------|---------------------------------------|----------------------|
| 1 | 31152081 | | SCREW TCEI M8X20 UNI 5931 | KD350 |
| 2 | 31241084 | | SELFLOCK NUT M8 6S | |
| 3 | 31241066 | | SELFLOCK M6 FL NY DIN 6926 | |
| 4 | 31112171 | | SCREW TE C/F M8X16 DIN 6921 | |
| 5 | 56156246N | | TUNNEL | |
| 6 | 31121008 | | SCREW TBCEI M10X16 ISO 7380 | |
| 7 | 31112081 | | SCREW TE C/F M6X20 DIN 6921 8G | |
| 8 | 552C1001 | | FAIRINGS BOX | REPLACES 56157399 |
| 9 | 58056991 | | CABLE GLAND 90/200/30 | |
| 10 | 31112154 | | SCREW TE M8X40 UNI 5739 8G | |
| 11 | 56156136Z | | BUMPER FIXING SUPPORT | KD350 |
| 12 | 31510100 | | RIBBED SCREW 6,3X19 UNI 6950 | |
| 13 | 55257522 | | HALF BEARING | |
| 14 | 31100451 | | SCREW 3,5X25 | |
| 15 | 59053021H | | BUMPER C.15LD-ACT-GX ALUM. | GX270 - GX340 |
| 15 | 59053040H | | ALU COMPLETE BUMPER GX160-200 | GX160 - GX200 - EX21 |
| 15 | 59056127H | | BUMPER FOR 740 | L70 |
| 16 | 55257521 | | BCS FRONT PLASTIC DESCRIPTION MC 2010 | |
| 17 | 55257621 | | GUARD | |
| 18 | 55257620 | | GUARD | |





| | | | | | |
|---|--|--|---|--|------------------|
|  | 700 serie PS PowerSafe® | COMANDO FRIZIONE POWERSAFE | | DALLA MACCHINA DE LA MAQUINA FROM THE MACHINE AB DER MASCHINE | Rev. |
| | | POWERSAFE CLUTCH CONTROL CONTROL EMBRAGUE POWERSAFE | CONTRÔLE EMBRAYAGE POWERSAFE REGELUND POWERSAFE KUPPLUNG | | B01 0 05/2009 |

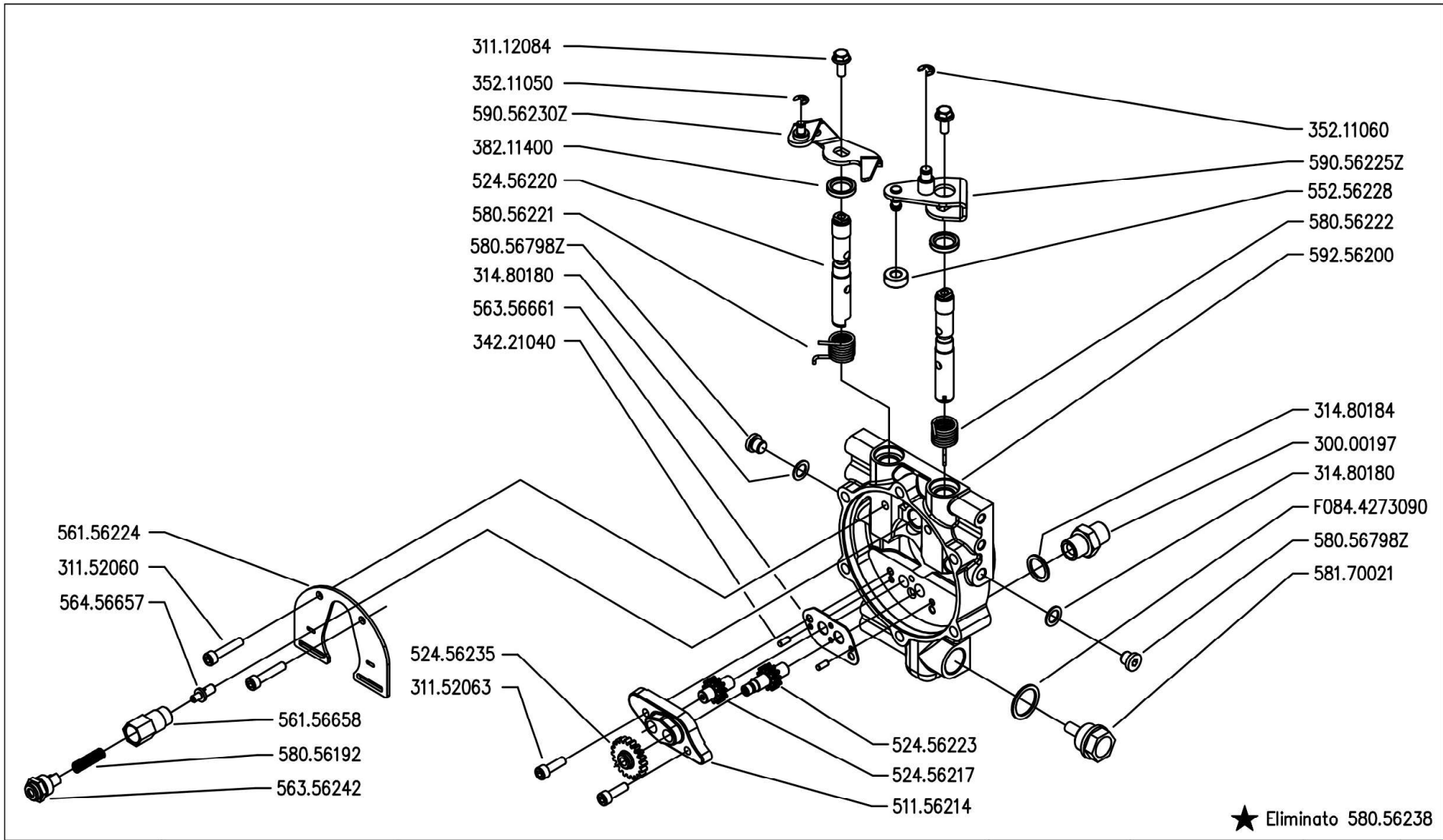


| Pos. | Id | Q.ty | Description | Note |
|-----------|-----------|------|--------------------------------|------|
| 30000197 | 30000197 | 1 | NIPPLE | |
| 31112084 | 31112084 | 1 | SCREW TE C/F M6X14 DIN 6921 8G | |
| 31152060 | 31152060 | 1 | SCREW TCEI M6X30 UNI 5931 | |
| 31152063 | 31152063 | 1 | SCREW TCEI M6X20 UNI 5931 | |
| 31480180 | 31480180 | 1 | COPPER WASHER 10,2x16/1 | |
| 31480184 | 31480184 | 1 | COPPER WASHER 16,7x22/1,5 | |
| 34221040 | 34221040 | 1 | CYLINDRICAL PLUG | |
| 35211050 | 35211050 | 1 | SEEGER RING E 5 UNI 7434 | |
| 35211060 | 35211060 | 1 | SEEGER RING E 6 UNI 7434 | |
| 38211400 | 38211400 | 1 | OIL SEAL 14X22X4 | |
| 51156214 | 51156214 | 1 | COVER | |
| 52456217 | 52456217 | 1 | DRIVEN GEAR | |
| 52456220 | 52456220 | 1 | DISTRIBUTOR | |
| 52456223 | 52456223 | 1 | GEAR | |
| 52456235 | 52456235 | 1 | PUMP GEAR | |
| 55256228 | 55256228 | 1 | ROLLER | |
| 56156224 | 56156224 | 1 | SHIELD | |
| 56156658 | 56156658 | 1 | VALVE INSERT/INLET | |
| 56356242 | 56356242 | 1 | PLUG | |
| 56356661 | 56356661 | 1 | COUNTERWEIGHT | |
| 56456657 | 56456657 | 1 | VALVE | |
| 58056192 | 58056192 | 1 | SPRING | |
| 58056221 | 58056221 | 1 | SPRING | |
| 58056222 | 58056222 | 1 | SPRING | |
| 58056238 | 58056238 | 1 | SPRING | |
| 58170021 | 58170021 | 1 | PLUG | |
| 59256200 | 59256200 | 1 | CLUTCH FLANGE | |
| 58056798Z | 58056798Z | 1 | PLUG | |
| 59056225Z | 59056225Z | 1 | CLUTCH LEVER | |



| Pos. | Id | Q.ty | Description | Note |
|-------------|-------------|------|--------------------------|------|
| 59056230Z | 59056230Z | 1 | LEVER | |
| F0844273090 | F0844273090 | 1 | GASKET 22X28X1,5 CU 99,5 | |





700 serie PS
 PowerSafe®

COMANDO FRIZIONE POWERSAFE

POWERSAFE CLUTCH CONTROL
 CONTROL EMBRAGUE POWERSAFE

CONTRÔLE EMBRAYAGE POWERSAFE
 REGELUND POWERSAFE KUPPLUNG

DALLA MACCHINA
 DE LA MAQUINA
 FROM THE MACHINE
 AB DER MASCHINE

★ N.

852604

Rev.
 B01 1

04/2010

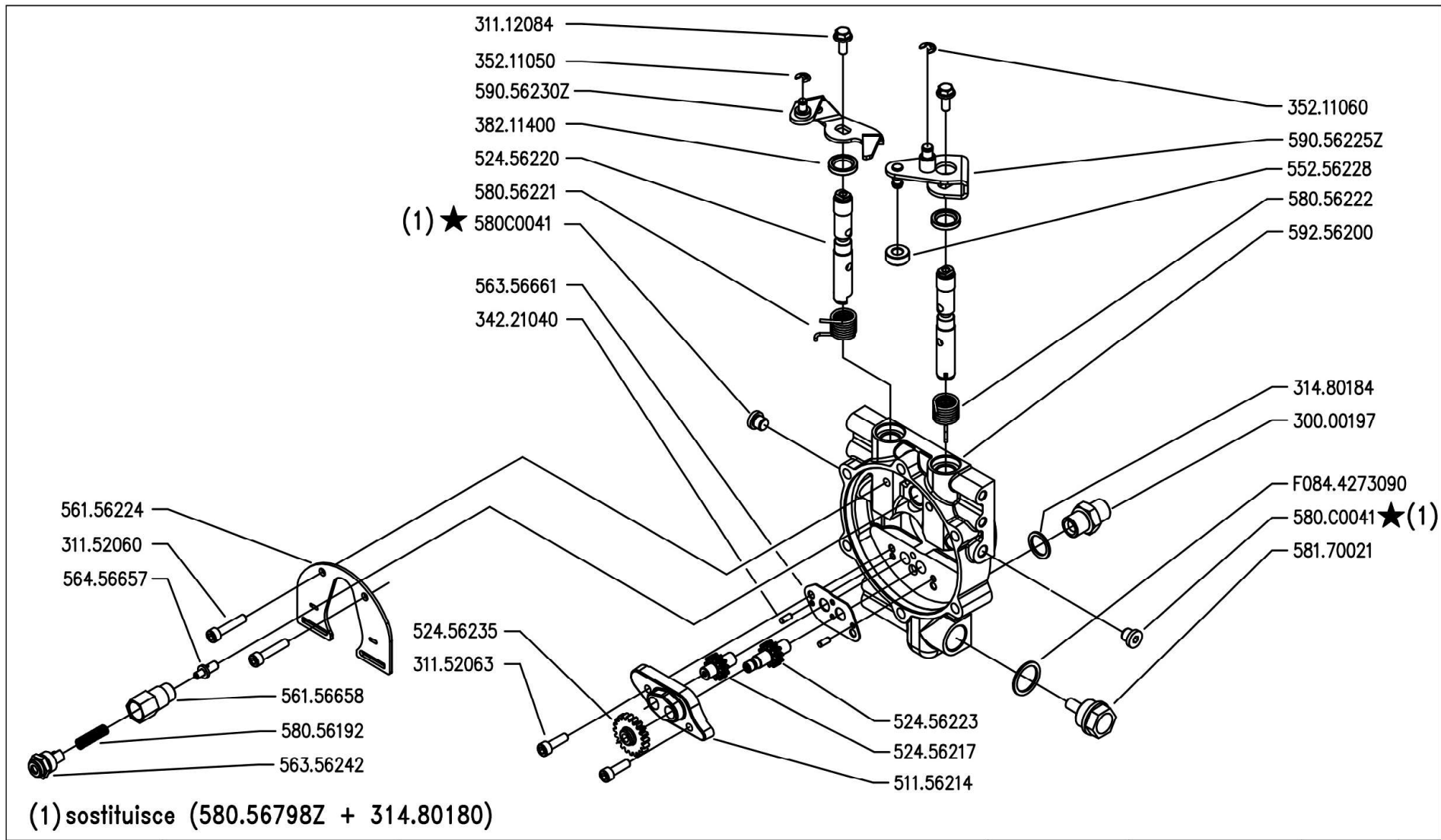


| Pos. | Id | Q.ty | Description | Note |
|-----------|-----------|------|--------------------------------|------|
| 30000197 | 30000197 | 1 | NIPPLE | |
| 31112084 | 31112084 | 1 | SCREW TE C/F M6X14 DIN 6921 8G | |
| 31152060 | 31152060 | 1 | SCREW TCEI M6X30 UNI 5931 | |
| 31152063 | 31152063 | 1 | SCREW TCEI M6X20 UNI 5931 | |
| 31480180 | 31480180 | 1 | COPPER WASHER 10,2x16/1 | |
| 31480184 | 31480184 | 1 | COPPER WASHER 16,7x22/1,5 | |
| 34221040 | 34221040 | 1 | CYLINDRICAL PLUG | |
| 35211050 | 35211050 | 1 | SEEGER RING E 5 UNI 7434 | |
| 35211060 | 35211060 | 1 | SEEGER RING E 6 UNI 7434 | |
| 38211400 | 38211400 | 1 | OIL SEAL 14X22X4 | |
| 51156214 | 51156214 | 1 | COVER | |
| 52456217 | 52456217 | 1 | DRIVEN GEAR | |
| 52456220 | 52456220 | 1 | DISTRIBUTOR | |
| 52456223 | 52456223 | 1 | GEAR | |
| 52456235 | 52456235 | 1 | PUMP GEAR | |
| 55256228 | 55256228 | 1 | ROLLER | |
| 56156224 | 56156224 | 1 | SHIELD | |
| 56156658 | 56156658 | 1 | VALVE INSERT/INLET | |
| 56356242 | 56356242 | 1 | PLUG | |
| 56356661 | 56356661 | 1 | COUNTERWEIGHT | |
| 56456657 | 56456657 | 1 | VALVE | |
| 58056192 | 58056192 | 1 | SPRING | |
| 58056221 | 58056221 | 1 | SPRING | |
| 58056222 | 58056222 | 1 | SPRING | |
| 58170021 | 58170021 | 1 | PLUG | |
| 59256200 | 59256200 | 1 | CLUTCH FLANGE | |
| 58056798Z | 58056798Z | 1 | PLUG | |
| 59056225Z | 59056225Z | 1 | CLUTCH LEVER | |
| 59056230Z | 59056230Z | 1 | LEVER | |



| Pos. | Id | Q.ty | Description | Note |
|-------------|-------------|------|--------------------------|------|
| F0844273090 | F0844273090 | 1 | GASKET 22X28X1,5 CU 99,5 | |





700 serie PS
PowerSafe®

COMANDO FRIZIONE POWERSAFE

POWERSAFE CLUTCH CONTROL
CONTROL EMBRAGUE POWERSAFE

CONTRÔLE EMBRAYAGE POWERSAFE
REGELUND POWERSAFE KUPPLUNG

DALLA MACCHINA
DE LA MAQUINA
DE LA MACHINA
FROM THE MACHINE
AB DER MASCHINE

★ N.

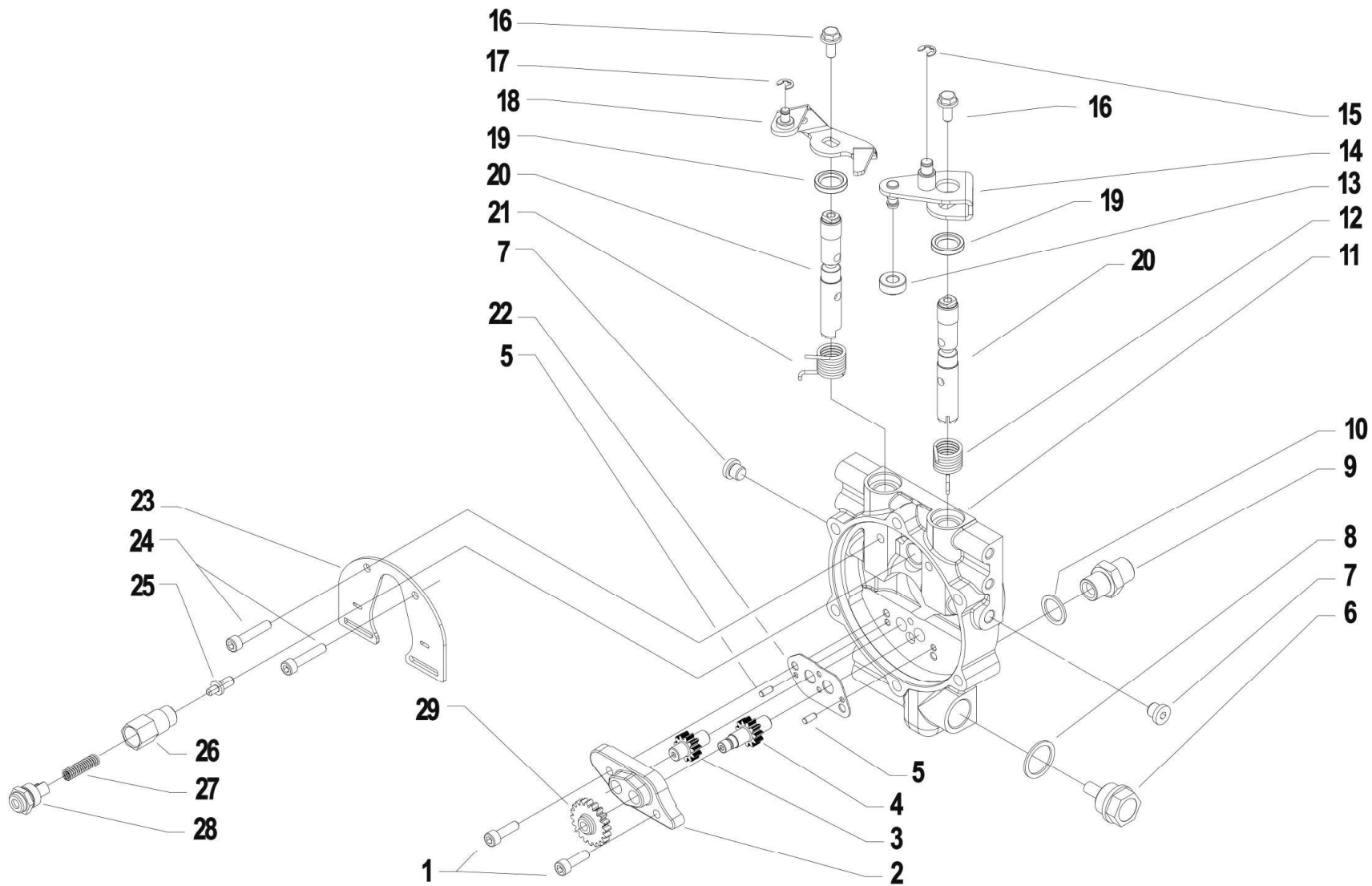
| |
|---------------|
| AGGIORNAMENTO |
| APLAZAMIENTO |
| MISE A JOUR |
| REVISION |
| ANPASSUNG |

| | | |
|-----|---------|---|
| B01 | Rev. | 2 |
| | 09/2010 | |



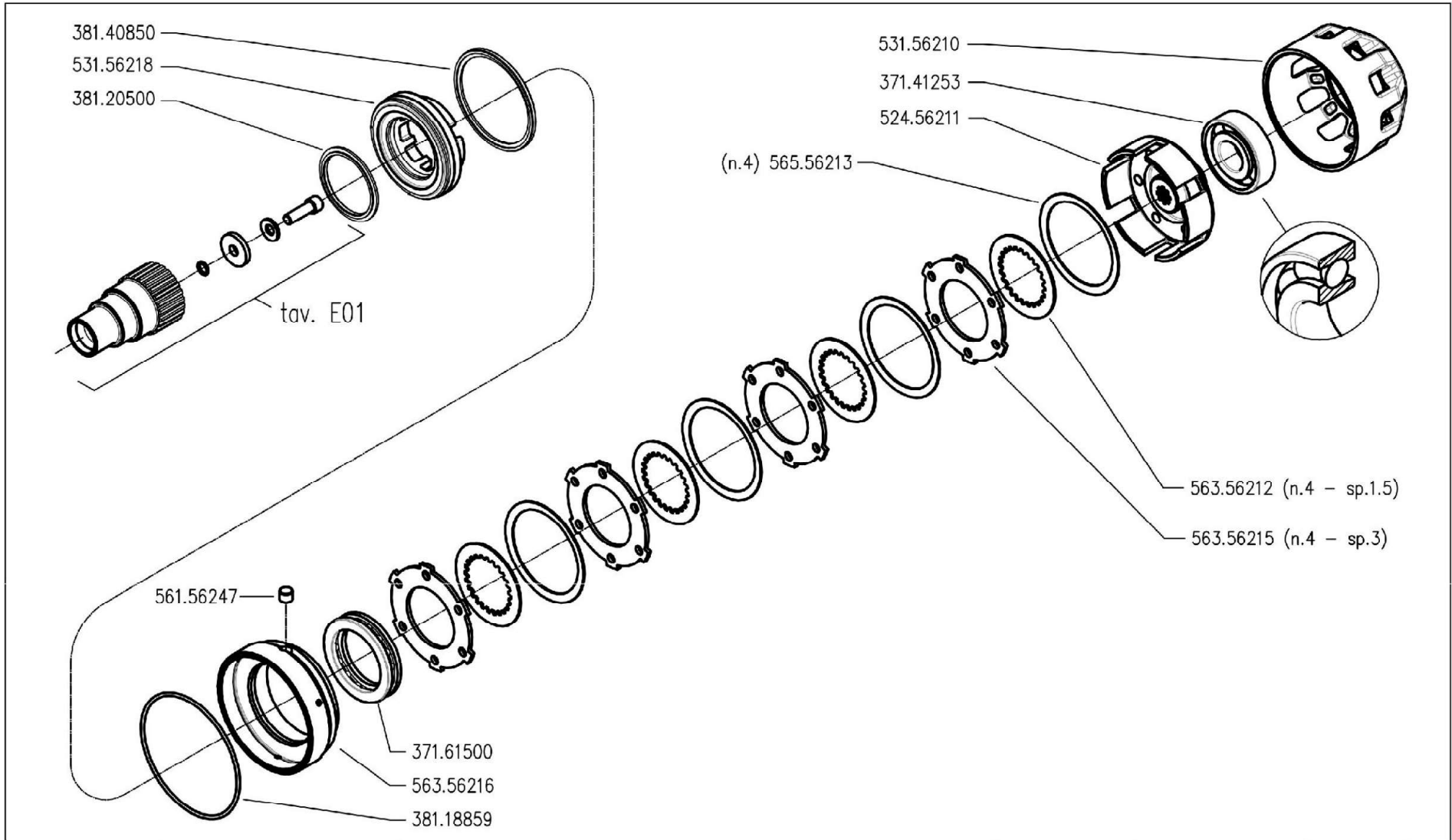
| Pos. | Id | Q.ty | Description | Note |
|-------------|-------------|------|--------------------------------|------|
| 30000197 | 30000197 | 1 | NIPPLE | |
| 31112084 | 31112084 | 1 | SCREW TE C/F M6X14 DIN 6921 8G | |
| 31152060 | 31152060 | 1 | SCREW TCEI M6X30 UNI 5931 | |
| 31152063 | 31152063 | 1 | SCREW TCEI M6X20 UNI 5931 | |
| 31480184 | 31480184 | 1 | COPPER WASHER 16,7x22/1,5 | |
| 34221040 | 34221040 | 1 | CYLINDRICAL PLUG | |
| 35211050 | 35211050 | 1 | SEEGER RING E 5 UNI 7434 | |
| 35211060 | 35211060 | 1 | SEEGER RING E 6 UNI 7434 | |
| 38211400 | 38211400 | 1 | OIL SEAL 14X22X4 | |
| 51156214 | 51156214 | 1 | COVER | |
| 52456217 | 52456217 | 1 | DRIVEN GEAR | |
| 52456220 | 52456220 | 1 | DISTRIBUTOR | |
| 52456223 | 52456223 | 1 | GEAR | |
| 52456235 | 52456235 | 1 | PUMP GEAR | |
| 55256228 | 55256228 | 1 | ROLLER | |
| 56156224 | 56156224 | 1 | SHIELD | |
| 56156658 | 56156658 | 1 | VALVE INSERT/INLET | |
| 56356242 | 56356242 | 1 | PLUG | |
| 56356661 | 56356661 | 1 | COUNTERWEIGHT | |
| 56456657 | 56456657 | 1 | VALVE | |
| 58056192 | 58056192 | 1 | SPRING | |
| 58056221 | 58056221 | 1 | SPRING | |
| 58056222 | 58056222 | 1 | SPRING | |
| 580C0041 | 580C0041 | 1 | PLUG | |
| 58170021 | 58170021 | 1 | PLUG | |
| 59256200 | 59256200 | 1 | CLUTCH FLANGE | |
| 59056225Z | 59056225Z | 1 | CLUTCH LEVER | |
| 59056230Z | 59056230Z | 1 | LEVER | |
| F0844273090 | F0844273090 | 1 | GASKET 22X28X1,5 CU 99,5 | |





| Pos. | Id | Q.ty | Description | Note |
|------|-------------|------|--------------------------------|---|
| 1 | 31152063 | 1 | SCREW TCEI M6X20 UNI 5931 | |
| 2 | 51156214 | 1 | COVER | |
| 3 | 52456217 | 1 | DRIVEN GEAR | |
| 4 | 52456223 | 1 | GEAR | |
| 5 | 34221040 | 1 | CYLINDRICAL PLUG | |
| 6 | 58170021 | 1 | PLUG | |
| 7 | 580C0041 | 1 | PLUG | |
| 8 | F0844273090 | 1 | GASKET 22X28X1,5 CU 99,5 | |
| 9 | 30000197 | 1 | NIPPLE | |
| 10 | 31480184 | 1 | COPPER WASHER 16,7x22/1,5 | |
| 11 | 59256200 | 1 | CLUTCH FLANGE | |
| 12 | 58056222 | 1 | SPRING | |
| 13 | 55256228 | 1 | ROLLER | |
| 14 | 59056225Z | 1 | CLUTCH LEVER | |
| 15 | 35211060 | 1 | SEEGER RING E 6 UNI 7434 | |
| 16 | 31112084 | 1 | SCREW TE C/F M6X14 DIN 6921 8G | |
| 17 | 35211050 | 1 | SEEGER RING E 5 UNI 7434 | |
| 18 | 59056298Z | 1 | LEVER | Replaces 59056230Z from serial 901289 |
| 19 | 38211400 | 1 | OIL SEAL 14X22X4 | |
| 20 | 52456220 | 1 | DISTRIBUTOR | |
| 21 | 58056221 | 1 | SPRING | |
| 22 | 56356661 | 1 | COUNTERWEIGHT | |
| 23 | 56156224 | 1 | SHIELD | |
| 24 | 31152060 | 1 | SCREW TCEI M6X30 UNI 5931 | |
| 25 | 56456657 | 1 | VALVE | |
| 26 | 56156658 | 1 | VALVE INSERT/INLET | |
| 27 | 58056683 | 1 | SPRING | Replaces 58056192 from serial number 883609 |
| 28 | 56356242 | 1 | PLUG | |
| 29 | 52456235 | 1 | PUMP GEAR | |





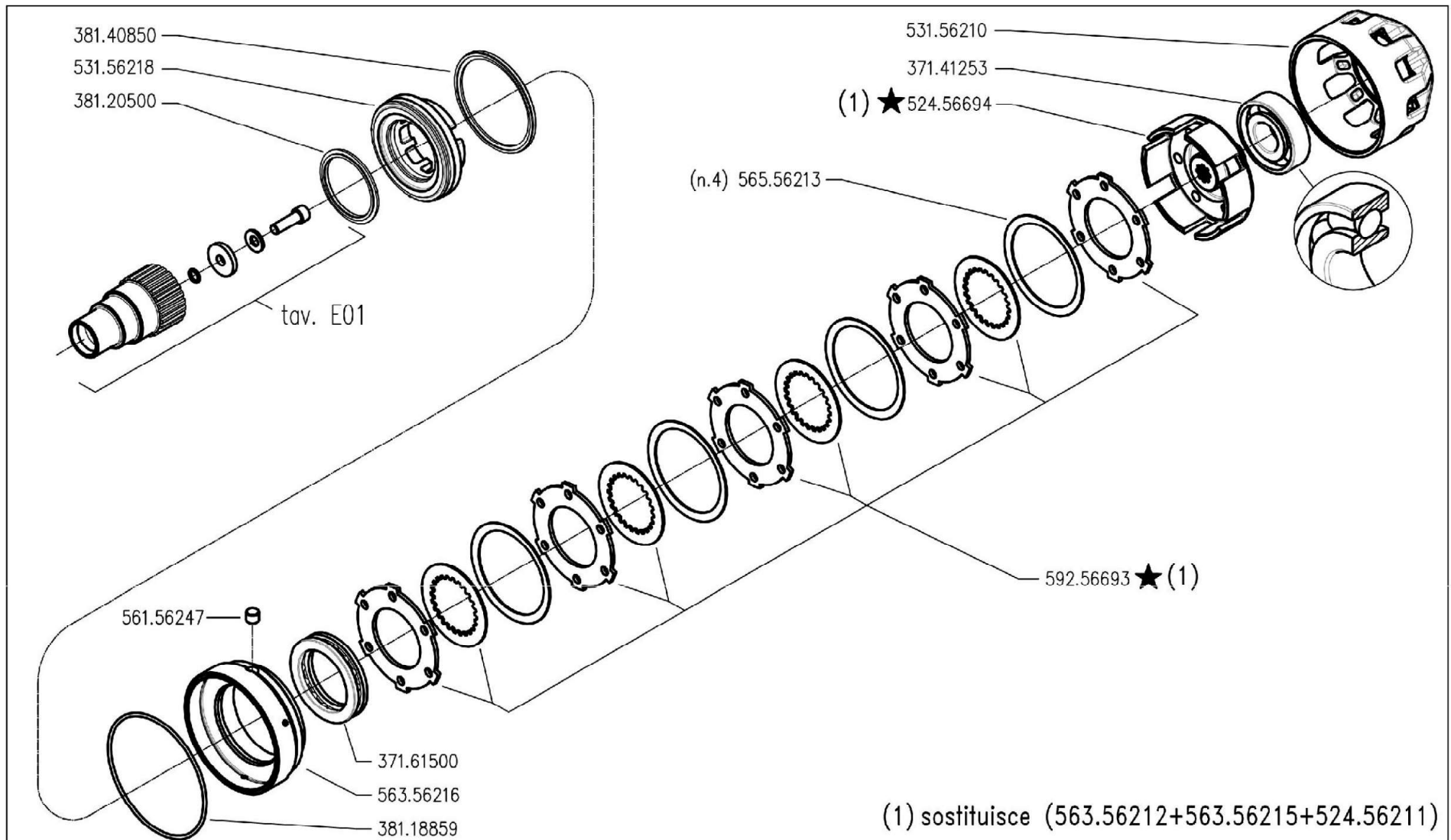
| | | | | | | |
|---|--|--|--|--|----------------------------------|----------------------|
|  | 700 serie PS PowerSafe® | CILINDRO E FRIZIONE POWERSAFE | | DALLA MACCHINA DE LA MAQUINA FROM THE MACHINE AB DER MASCHINE | _____ _____ _____ _____ | Rev. C01 0 |
| | | CYLINDER AND POWERSAFE CLUTCH CILINDRO Y EMBRAGUE POWERSAFE | CYLINDER ET EMBRAYAGE POWERSAFE ZILINDER UND POWERSAFE KUPPLUNG | | | |

DTE.BCS - Scala 1:6



| Pos. | Id | Q.ty | Description | Note |
|----------|----------|------|-------------------------------|------|
| 37141253 | 37141253 | 1 | BEARING 7305-BJP OBL 25x62x17 | |
| 37161500 | 37161500 | 1 | BEARING 51110 (50X70X14) | |
| 38118859 | 38118859 | 1 | O-RING OR 3375 (94,92X2,62) | |
| 38120500 | 38120500 | 1 | RING I/GR-L 0500-A POLYPAC | |
| 38140850 | 38140850 | 1 | RING E/GR-L 0850-A POLYPAC | |
| 52456211 | 52456211 | 1 | CLUTCH HOUSING | |
| 53156210 | 53156210 | 1 | SUMP | |
| 53156218 | 53156218 | 1 | PISTON | |
| 56156247 | 56156247 | 1 | PIN | |
| 56356212 | 56356212 | 1 | DISC | |
| 56356215 | 56356215 | 1 | DISC | |
| 56356216 | 56356216 | 1 | RING | |
| 56556213 | 56556213 | 1 | SPRING | |



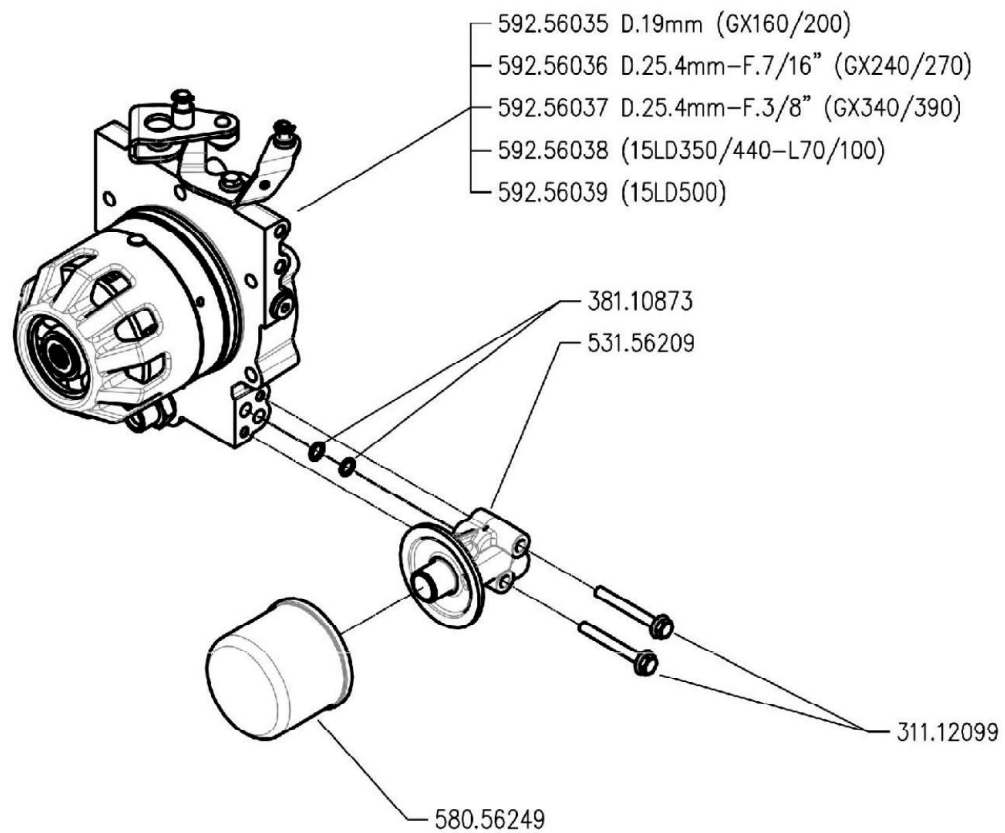


| | | | | | | | |
|--|--|--|--|--|-------------------------|------------|-----------------------|
| | 700 serie PS PowerSafe® | CILINDRO E FRIZIONE POWERSAFE | | DALLA MACCHINA DE LA MAQUINA FROM THE MACHINE AB DER MASCHINE | _____ _____ _____ | C01 | Rev. |
| | | CYLINDER AND POWERSAFE CLUTCH CILINDRO Y EMBRAGUE POWERSAFE | CYLINDER ET EMBRAYAGE POWERSAFE ZILINDER UND POWERSAFE KUPPLUNG | | | | ★ N. |
| | | | | | 852604 | 04/2010 | DATE: BCS - Scala 1:6 |



| Pos. | Id | Q.ty | Description | Note |
|----------|----------|------|-------------------------------|------|
| 37141253 | 37141253 | 1 | BEARING 7305-BJP OBL 25x62x17 | |
| 37161500 | 37161500 | 1 | BEARING 51110 (50X70X14) | |
| 38118859 | 38118859 | 1 | O-RING OR 3375 (94,92X2,62) | |
| 38120500 | 38120500 | 1 | RING I/GR-L 0500-A POLYPAC | |
| 38140850 | 38140850 | 1 | RING E/GR-L 0850-A POLYPAC | |
| 52456694 | 52456694 | 1 | CLUTCH HOUSING | |
| 53156210 | 53156210 | 1 | SUMP | |
| 53156218 | 53156218 | 1 | PISTON | |
| 56156247 | 56156247 | 1 | PIN | |
| 56356216 | 56356216 | 1 | RING | |
| 56556213 | 56556213 | 1 | SPRING | |
| 59256693 | 59256693 | 1 | 9 DISC CLUTCH | |





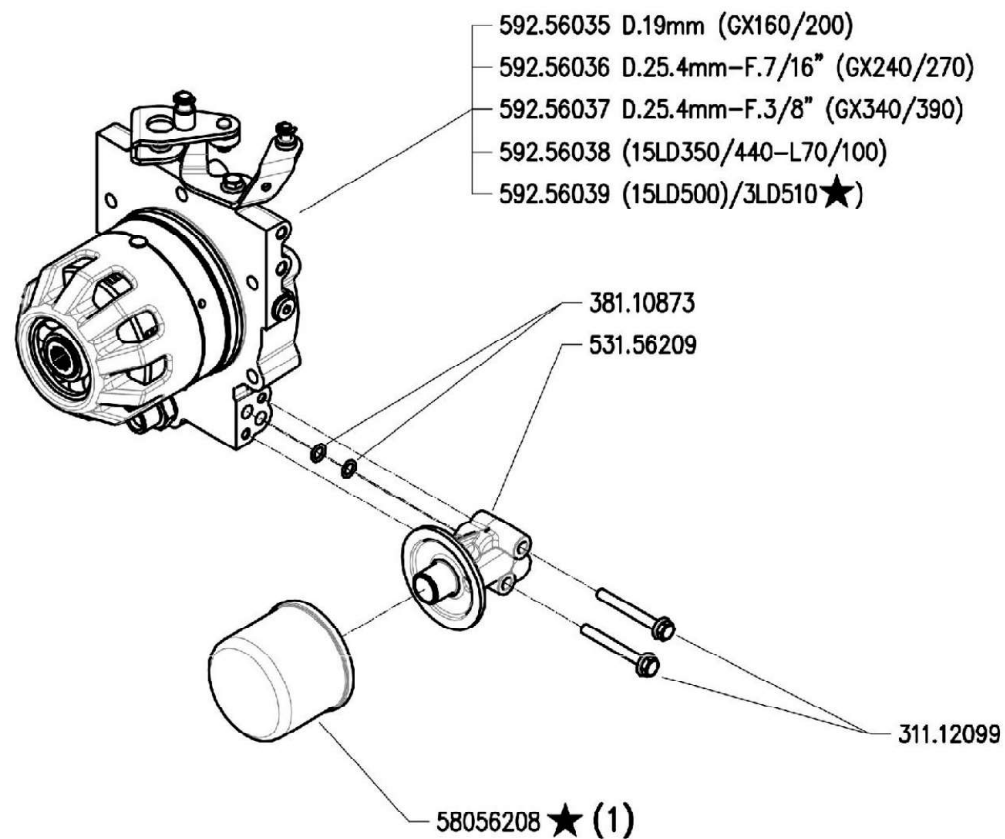
| | | | | | |
|---|-----------------------------------|---|--------------------------------------|--|---------------|
|  | 700 serie PS <i>PowerSafe®</i> | GRUPPO FILTRO POWERSAFE | | DALLA MACCHINA DE LA MAQUINA FROM THE MACHINE AB DER MASCHINE N. | Rev. D01 0 |
| | | POWERSAFE FILTER UNIT FILTRO POWERSAFE | FILTRE POWERSAFE POWERSAFE FILTER | | |

DTE.BCS - Scala 1:6



| Pos. | Id | Q.ty | Description | Note |
|----------|----------|------|----------------------------------|------|
| 31112099 | 31112099 | 1 | SCREW TE C/F M6X50 DIN 6921 8G | |
| 38110873 | 38110873 | 1 | O-RING 108 (8,73X1,78) | |
| 53156209 | 53156209 | 1 | CONNECTION | |
| 58056249 | 58056249 | 1 | FILTER | |
| 59256035 | 59256035 | 1 | POWERSAFE CLUTCH ASSY Q19 | |
| 59256036 | 59256036 | 1 | POWERSAFE CLUTCH | |
| 59256037 | 59256037 | 1 | CLUTCH FOR POWERSAFE Q25.4 (3/8) | |
| 59256038 | 59256038 | 1 | POWERSAFE CLUTCH | |
| 59256039 | 59256039 | 1 | POWERSAFE CLUTCH ASSY | |





(1) sostituisce 580.56249

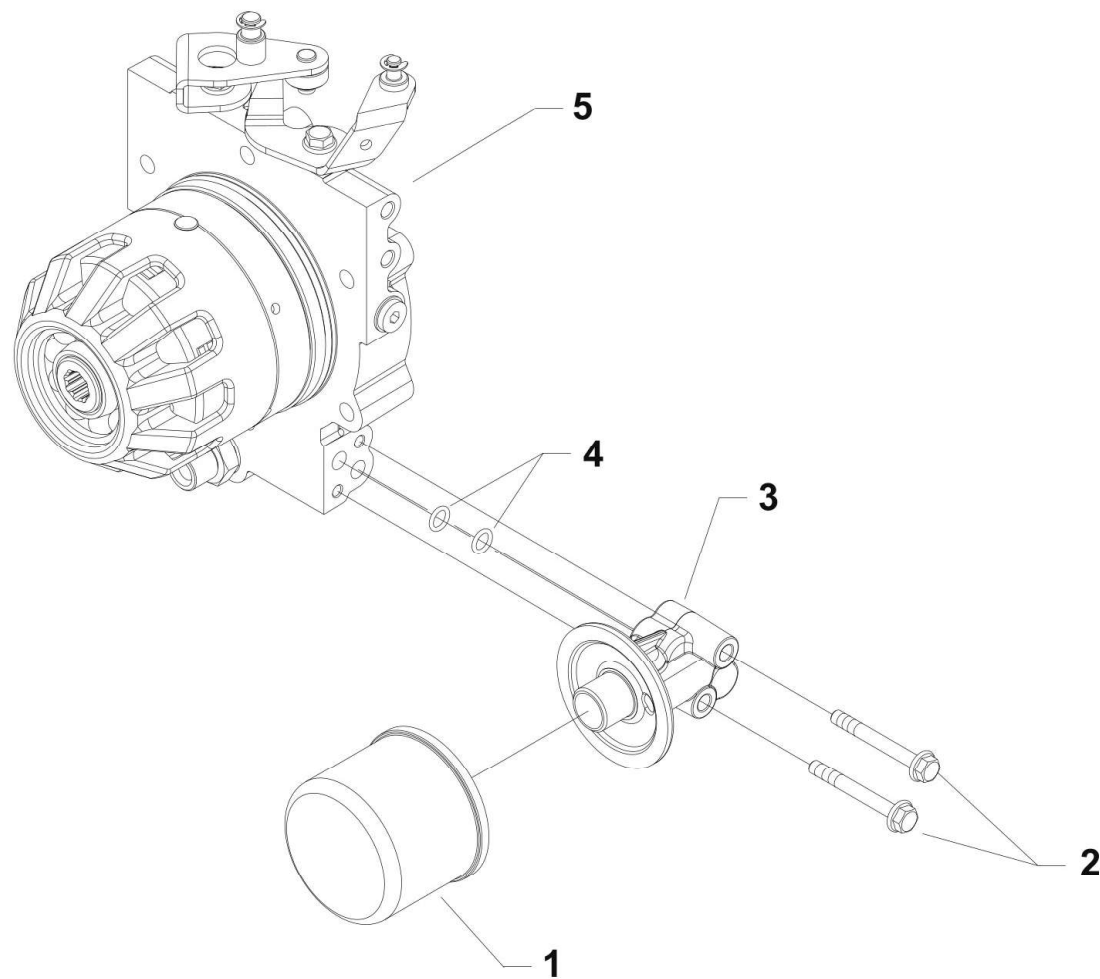
| | | | | | | | |
|---|--|----------------------------------|------------------|---|---------------|----------------|------|
|  | 700 serie PS PowerSafe® | GRUPPO E FILTRO POWERSAFE | | DALLA MACCHINA DE LA MAQUINA DE LA MACHINA FROM THE MACHINE AB DER MASCHINE ★ N. | AGGIORNAMENTO | D01 | Rev. |
| | | POWERSAFE FILTER AND UNIT | FILTRE POWERSAFE | | APLAZAMIENTO | | 1 |
| | | FILTRO POWERSAFE | POWERSAFE FILTER | | MISE A JOUR | | |
| | | | | | REVISION | | |
| | | | | | ANPASSUNG | | |
| | | | | | | 11/2010 | |

DITE BCS - Scala 1:5



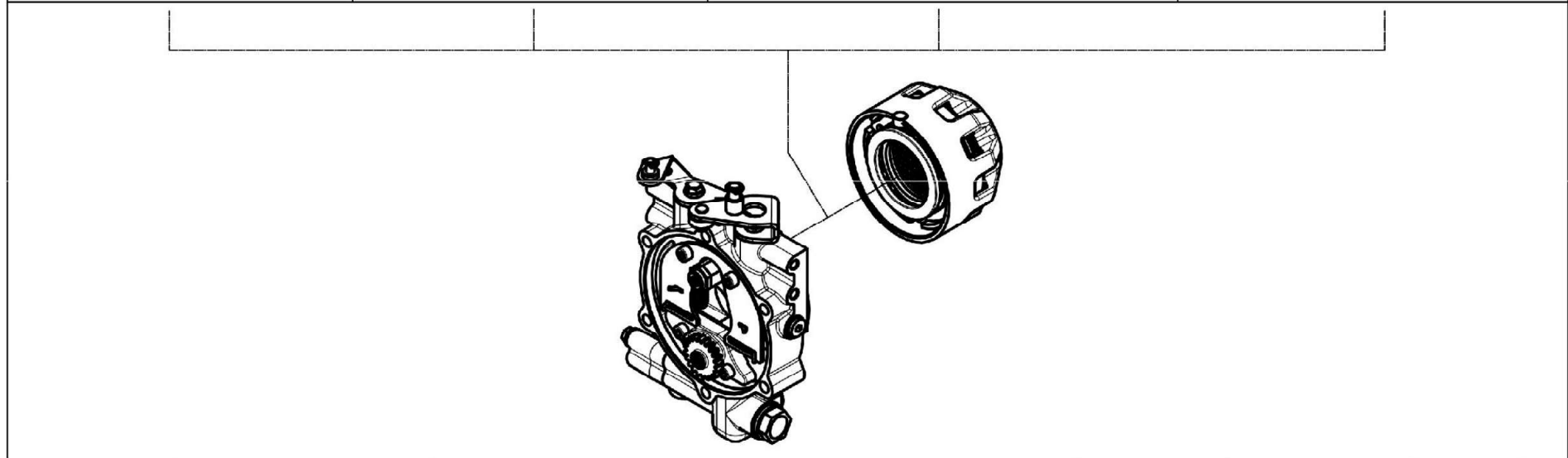
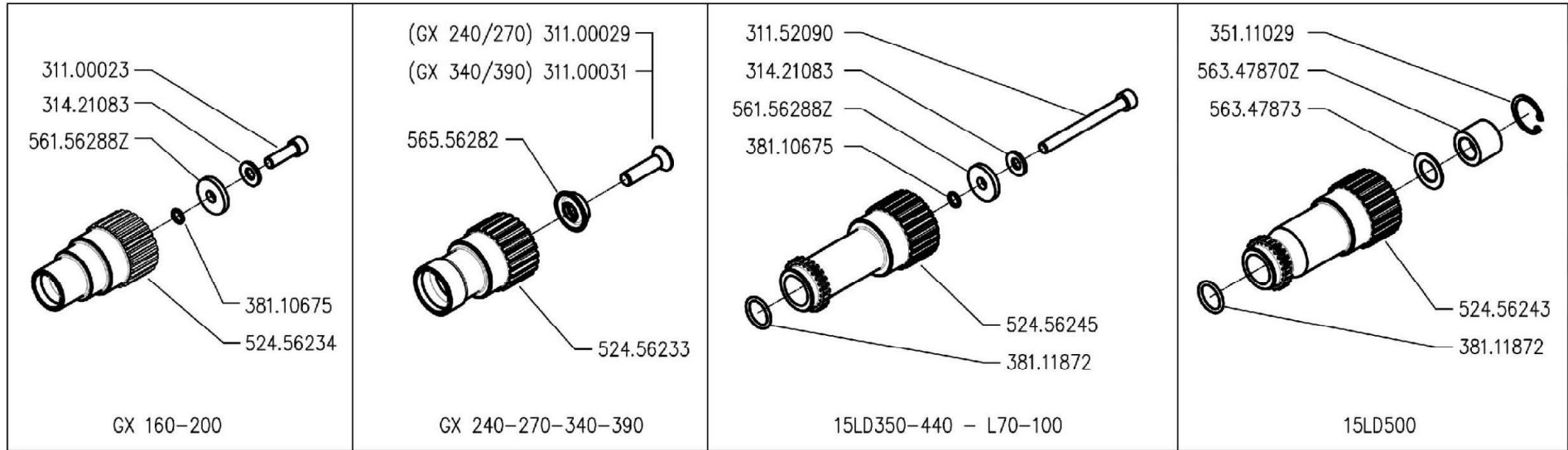
| Pos. | Id | Q.ty | Description | Note |
|----------|----------|------|----------------------------------|------|
| 31112099 | 31112099 | 1 | SCREW TE C/F M6X50 DIN 6921 8G | |
| 38110873 | 38110873 | 1 | O-RING 108 (8,73X1,78) | |
| 53156209 | 53156209 | 1 | CONNECTION | |
| 58056208 | 58056208 | 1 | HYDRAULIC OIL FILTER | |
| 59256035 | 59256035 | 1 | POWERSAFE CLUTCH ASSY Q19 | |
| 59256036 | 59256036 | 1 | POWERSAFE CLUTCH | |
| 59256037 | 59256037 | 1 | CLUTCH FOR POWERSAFE Q25.4 (3/8) | |
| 59256038 | 59256038 | 1 | POWERSAFE CLUTCH | |
| 59256039 | 59256039 | 1 | POWERSAFE CLUTCH ASSY | |





| Pos. | Id | Q.ty | Description | Note |
|------|----------|------|----------------------------------|--------------------------------|
| 1 | 58056208 | 1 | HYDRAULIC OIL FILTER | |
| 2 | 31112099 | 1 | SCREW TE C/F M6X50 DIN 6921 8G | |
| 3 | 53156209 | 1 | CONNECTION | |
| 3 | 53156659 | 1 | CONNECTION | Powersafe EasyDrive |
| 4 | 38110873 | 1 | O-RING 108 (8,73X1,78) | |
| 5 | 59256035 | 1 | POWERSAFE CLUTCH ASSY Q19 | For motors GX160/200 |
| 5 | 59256036 | 1 | POWERSAFE CLUTCH | For motors GX240/270-EX21 |
| 5 | 59256037 | 1 | CLUTCH FOR POWERSAFE Q25.4 (3/8) | For motors GX340/390 |
| 5 | 59256038 | 1 | POWERSAFE CLUTCH | For motors 15LD350/440-L70/100 |
| 5 | 59256039 | 1 | POWERSAFE CLUTCH ASSY | For motors 15LD500/3LD510 |





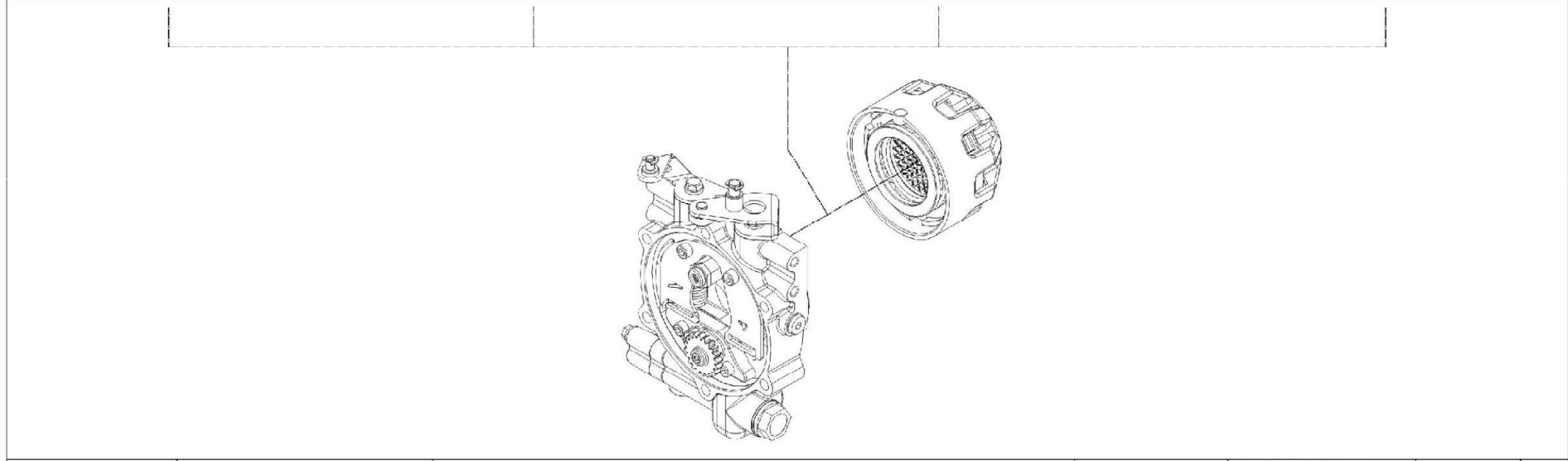
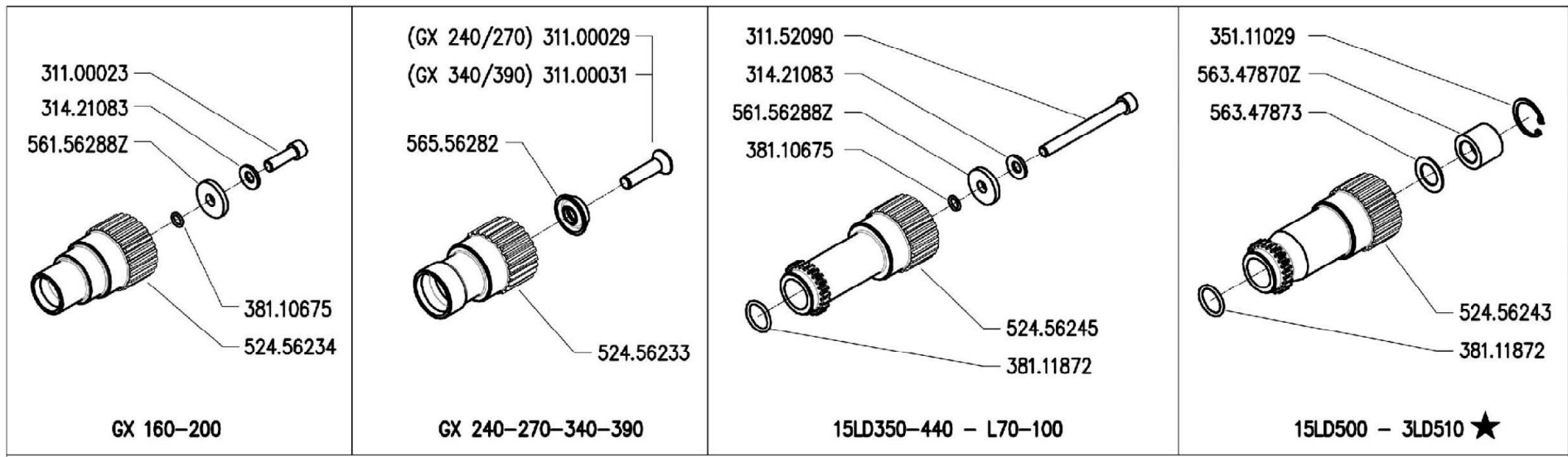
| | | | | | | |
|--|------------------------------------|--|--|-----------|------------|-------------------------------|
| | <p>700 serie PS PowerSafe®</p> | <p>MOZZI FRIZIONE POWERSAFE POWERSAFE CLUTCH HUBS CUBOS EMBRACUE POWERSAFE</p> <p>MOYEURS EMBRAYAGE POWERSAFE NABEN POWERSAFE KUPPLUNG</p> | <p>DALLA MACCHINA DE LA MAQUINA DE LA MACHINA FROM THE MACHINE AB DER MASCHINE</p> | <p>N.</p> | <p>E01</p> | <p>Rev. 0 05/2009</p> |
|--|------------------------------------|--|--|-----------|------------|-------------------------------|

DITE.BCS - Scala 1:6



| Pos. | Id | Q.ty | Description | Note |
|-----------|-----------|------|---------------------------------|------|
| 31100023 | 31100023 | 1 | SCREW 5/16-24 X 1 UNF 8G | |
| 31100029 | 31100029 | 1 | SCREW TSVEI 7/16-20X1 1/2 UNF8G | |
| 31100031 | 31100031 | 1 | SCREW TSVEI 3/8-24X1 1/2 UNF 8G | |
| 31152090 | 31152090 | 1 | SCREW TCEI M8x80 UNI5931 | |
| 31421083 | 31421083 | 1 | WASHER | |
| 35111029 | 35111029 | 1 | SEEGER RING I 28 UNI 7437 | |
| 38110675 | 38110675 | 1 | O-RING 106 (6,75X1,78) | |
| 38111872 | 38111872 | 1 | O-RING 3075 (18,72x2,62) | |
| 52456233 | 52456233 | 1 | HUB Q25 | |
| 52456234 | 52456234 | 1 | HUB Q19 | |
| 52456243 | 52456243 | 1 | HUB | |
| 52456245 | 52456245 | 1 | HUB | |
| 56347873 | 56347873 | 1 | WASHER | |
| 56556282 | 56556282 | 1 | WASHER D.25,4 | |
| 56156288Z | 56156288Z | 1 | SPECIAL WASHER SP.4 | |
| 56347870Z | 56347870Z | 1 | SPECIAL NUT | |





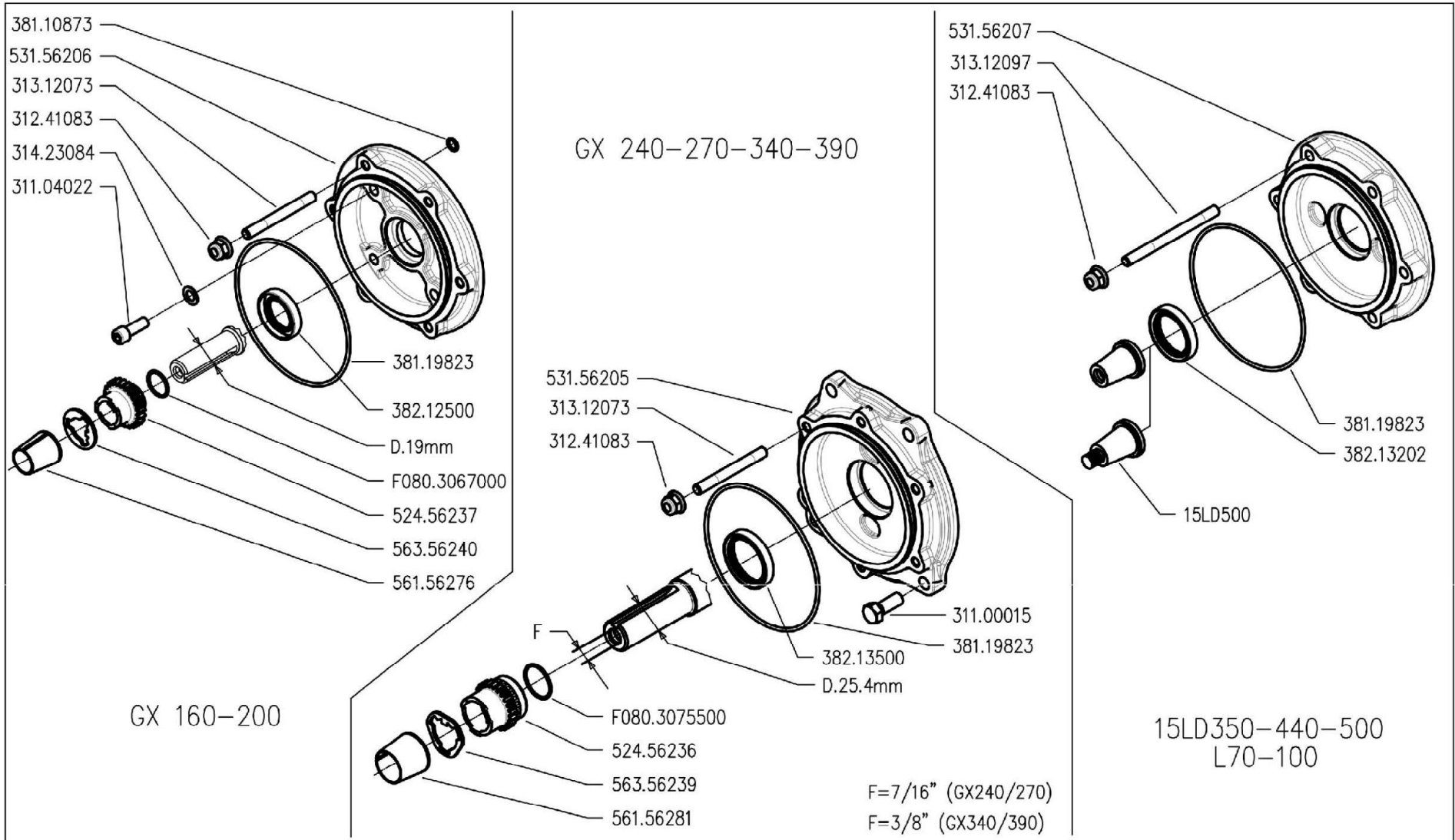
| | | | | | | | |
|--|--|---------------------------------|-----------------------------|---|---------------|----------------|------|
| | 700 serie PS <i>PowerSafe®</i> | MOZZI FRIZIONE POWERSAFE | | DALLA MACCHINA DE LA MAQUINA DE LA MAQUINA FROM THE MACHINE AB DER MASCHINE ★ N. | AGGIORNAMENTO | E01 | Rev. |
| | | POWERSAFE CLUTCH HUBS | MOYEURS EMBRAYAGE POWERSAFE | | APLAZAMIENTO | | 1 |
| | | CUBOS EMBRAGUE POWERSAFE | NABEN POWERSAFE KUPPLUNG | | MISE A JOUR | | |
| | | | | | REVISION | | |
| | | | | | ANPASSUNG | | |
| | | | | | | 11/2010 | |

DITE BCS - Scala 1:5



| Pos. | Id | Q.ty | Description | Note |
|-----------|-----------|------|---------------------------------|------|
| 31100023 | 31100023 | 1 | SCREW 5/16-24 X 1 UNF 8G | |
| 31100029 | 31100029 | 1 | SCREW TSVEI 7/16-20X1 1/2 UNF8G | |
| 31100031 | 31100031 | 1 | SCREW TSVEI 3/8-24X1 1/2 UNF 8G | |
| 31152090 | 31152090 | 1 | SCREW TCEI M8x80 UNI5931 | |
| 31421083 | 31421083 | 1 | WASHER | |
| 35111029 | 35111029 | 1 | SEEGER RING I 28 UNI 7437 | |
| 38110675 | 38110675 | 1 | O-RING 106 (6,75X1,78) | |
| 38111872 | 38111872 | 1 | O-RING 3075 (18,72x2,62) | |
| 52456233 | 52456233 | 1 | HUB Q25 | |
| 52456234 | 52456234 | 1 | HUB Q19 | |
| 52456243 | 52456243 | 1 | HUB | |
| 52456245 | 52456245 | 1 | HUB | |
| 56347873 | 56347873 | 1 | WASHER | |
| 56556282 | 56556282 | 1 | WASHER D.25,4 | |
| 56156288Z | 56156288Z | 1 | SPECIAL WASHER SP.4 | |
| 56347870Z | 56347870Z | 1 | SPECIAL NUT | |





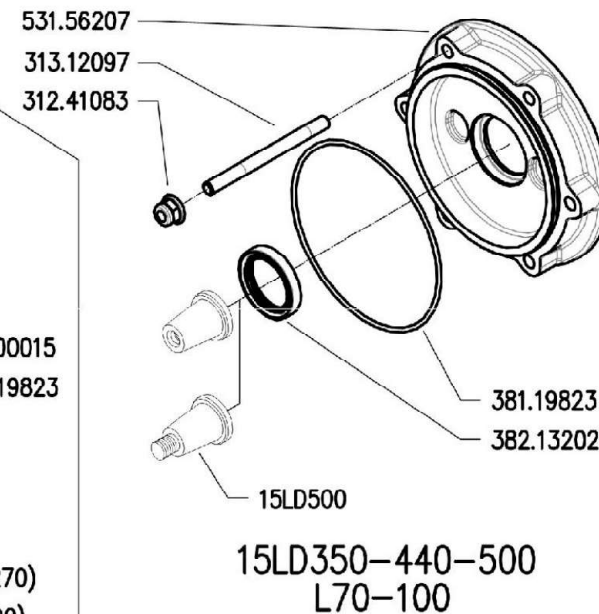
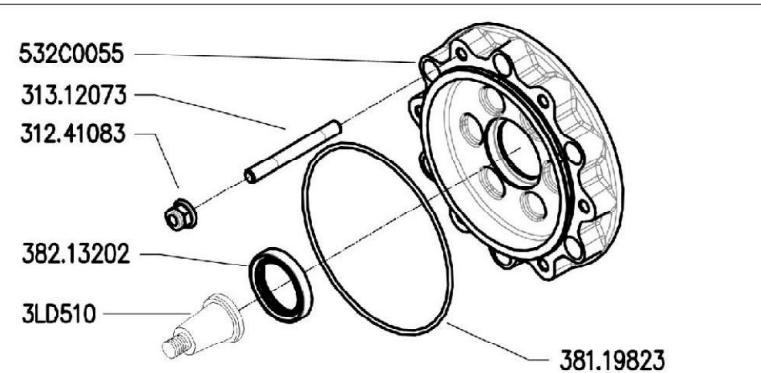
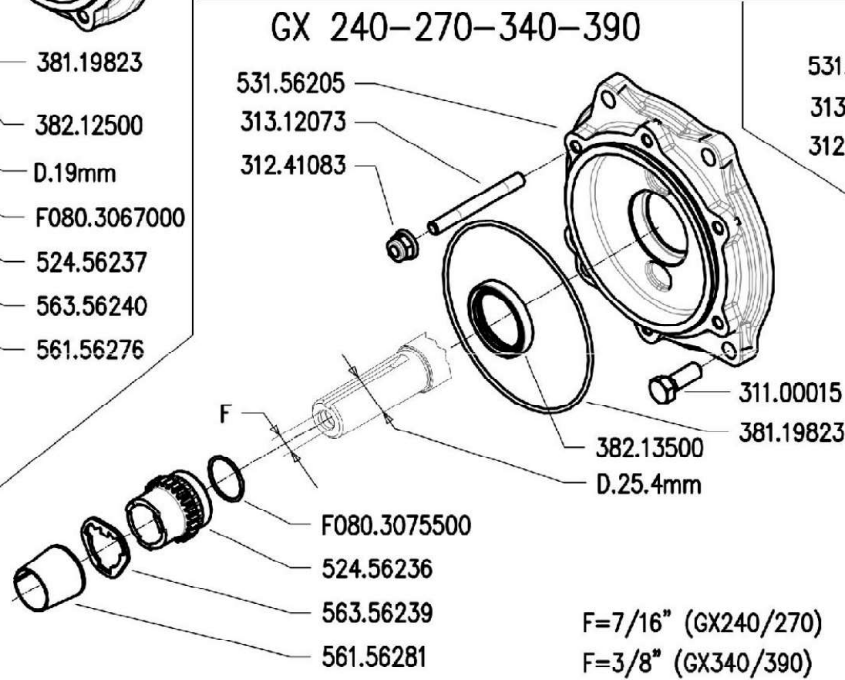
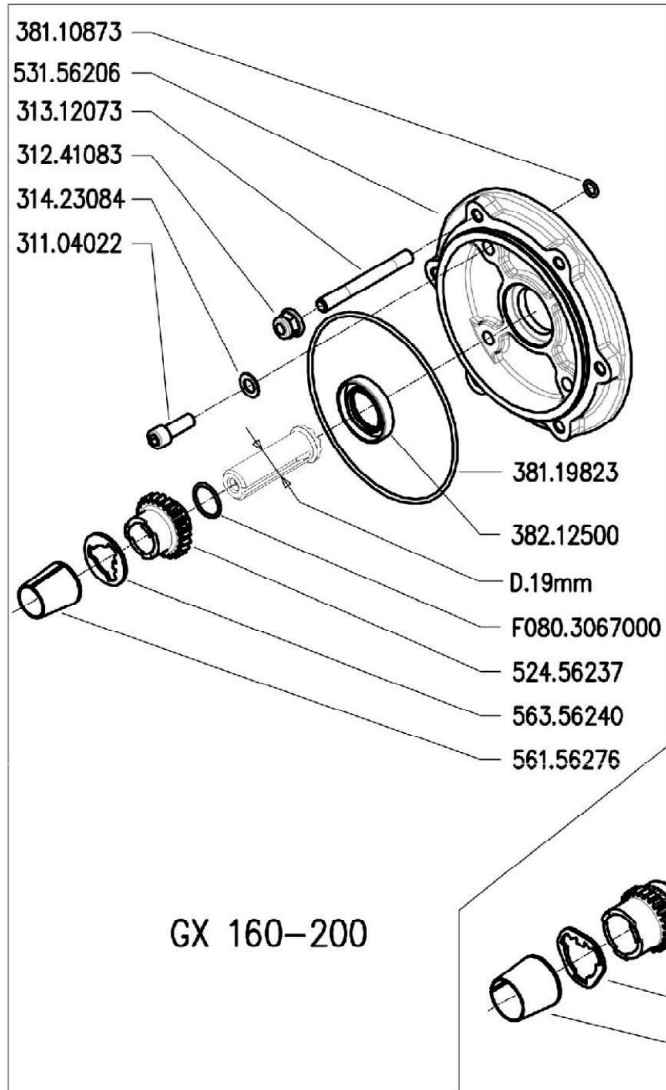
| | | | | | | | |
|--|---|--------------------------------|--|--|--------------------------|-----|---------|
| | 700 serie PS PowerSafe® | ENGINE FLANGES BRIDAS MOTOR | FLANGIE MOTORE BRIDES MOTEUR MOTOR FLANSCH | DALLA MACCHINA DE LA MAQUINA FROM THE MACHINE AB DER MASCHINE | <input type="checkbox"/> | F01 | Rev. 0 |
| | | | | | N. | | 05/2009 |

DTE.BCS - Scala 1:6



| Pos. | Id | Q.ty | Description | Note |
|-------------|-------------|------|-----------------------------|------|
| 31100015 | 31100015 | 1 | SCREW TE 3/8X1 | |
| 31104022 | 31104022 | 1 | SCREW TCEI 5/16X7/8 UNF 12K | |
| 31241083 | 31241083 | 1 | SELFLOCK NUT M8 | |
| 31312073 | 31312073 | 1 | STUD BOLT M8X73X14X20 8G | |
| 31312097 | 31312097 | 1 | STUD BOLT M8X98X16X28 8G | |
| 31423084 | 31423084 | 1 | SPRING WASHER 8,4 | |
| 38110873 | 38110873 | 1 | O-RING 108 (8,73X1,78) | |
| 38119823 | 38119823 | 1 | O-RING 3450 (113,97x2,62) | |
| 38212500 | 38212500 | 1 | OIL SEAL 25X40X7 | |
| 38213202 | 38213202 | 1 | OIL SEAL 32X45X7 | |
| 38213500 | 38213500 | 1 | OIL SEAL 35X47X7 | |
| 52456236 | 52456236 | 1 | PUMP GEAR | |
| 52456237 | 52456237 | 1 | PUMP GEAR | |
| 53156205 | 53156205 | 1 | ENGINE FLANGE Q25 | |
| 53156206 | 53156206 | 1 | ENGINE FLANGE Q19 | |
| 53156207 | 53156207 | 1 | ENGINE FLANGE | |
| 56156276 | 56156276 | 1 | SLEEVE D.19 | |
| 56156281 | 56156281 | 1 | CENTRING BUSH D.25,4 | |
| 56356239 | 56356239 | 1 | FEEDER Q25 | |
| 56356240 | 56356240 | 1 | TRANSMISSION | |
| F0803067000 | F0803067000 | 1 | O-RING 2075 (18,77X1,78) | |
| F0803075500 | F0803075500 | 1 | O-RING 2100 (25,12X1,78) | |





700 serie PS
PowerSafe®

ENGINE FLANGES
BRIDAS MOTOR

FLANGIE MOTORE

BRIDES MOTEUR
MOTOR FLANSCH

DALLA MACCHINA
DE LA MAQUINA
FROM THE MACHINE
AB DER MASCHINE

★ N.

| |
|---------------|
| AGGIORNAMENTO |
| APLAZAMIENTO |
| MISE A JOUR |
| REVISION |
| ANPASSUNG |

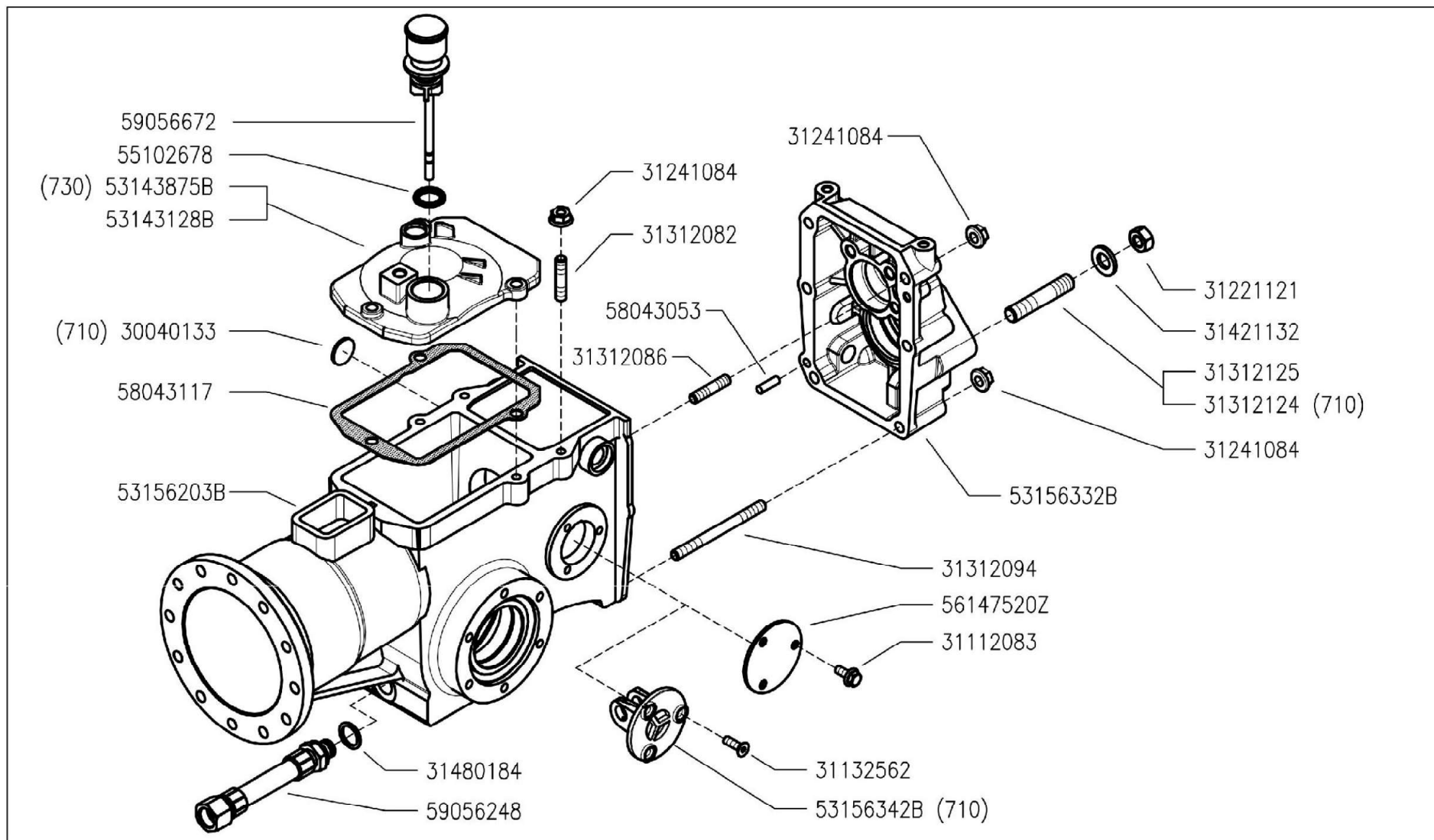
| | |
|---------|------|
| F01 | Rev. |
| | 1 |
| 11/2010 | |

DITE BCS - Scala 1:5



| Pos. | Id | Q.ty | Description | Note |
|-------------|-------------|------|-----------------------------|------|
| 31100015 | 31100015 | 1 | SCREW TE 3/8X1 | |
| 31104022 | 31104022 | 1 | SCREW TCEI 5/16X7/8 UNF 12K | |
| 31241083 | 31241083 | 1 | SELFLOCK NUT M8 | |
| 31312073 | 31312073 | 1 | STUD BOLT M8X73X14X20 8G | |
| 31312097 | 31312097 | 1 | STUD BOLT M8X98X16X28 8G | |
| 31423084 | 31423084 | 1 | SPRING WASHER 8,4 | |
| 38110873 | 38110873 | 1 | O-RING 108 (8,73X1,78) | |
| 38119823 | 38119823 | 1 | O-RING 3450 (113,97x2,62) | |
| 38212500 | 38212500 | 1 | OIL SEAL 25X40X7 | |
| 38213202 | 38213202 | 1 | OIL SEAL 32X45X7 | |
| 38213500 | 38213500 | 1 | OIL SEAL 35X47X7 | |
| 52456236 | 52456236 | 1 | PUMP GEAR | |
| 52456237 | 52456237 | 1 | PUMP GEAR | |
| 53156205 | 53156205 | 1 | ENGINE FLANGE Q25 | |
| 53156206 | 53156206 | 1 | ENGINE FLANGE Q19 | |
| 53156207 | 53156207 | 1 | ENGINE FLANGE | |
| 532C0055 | 532C0055 | 1 | ACT ENGINE FLANGE | |
| 56156276 | 56156276 | 1 | SLEEVE D.19 | |
| 56156281 | 56156281 | 1 | CENTRING BUSH D.25,4 | |
| 56356239 | 56356239 | 1 | FEEDER Q25 | |
| 56356240 | 56356240 | 1 | TRANSMISSION | |
| F0803067000 | F0803067000 | 1 | O-RING 2075 (18,77X1,78) | |
| F0803075500 | F0803075500 | 1 | O-RING 2100 (25,12X1,78) | |





700 serie PS
PowerSafe®

GEARBOX
CAJA DE CAMBIO

SCATOLA CAMBIO
(710-720-730)

BOITE DE VITESSES
WECHSELGETRIEBE

DALLA MACCHINA
DE LA MAQUINA
FROM THE MACHINE
AB DER MASCHINE

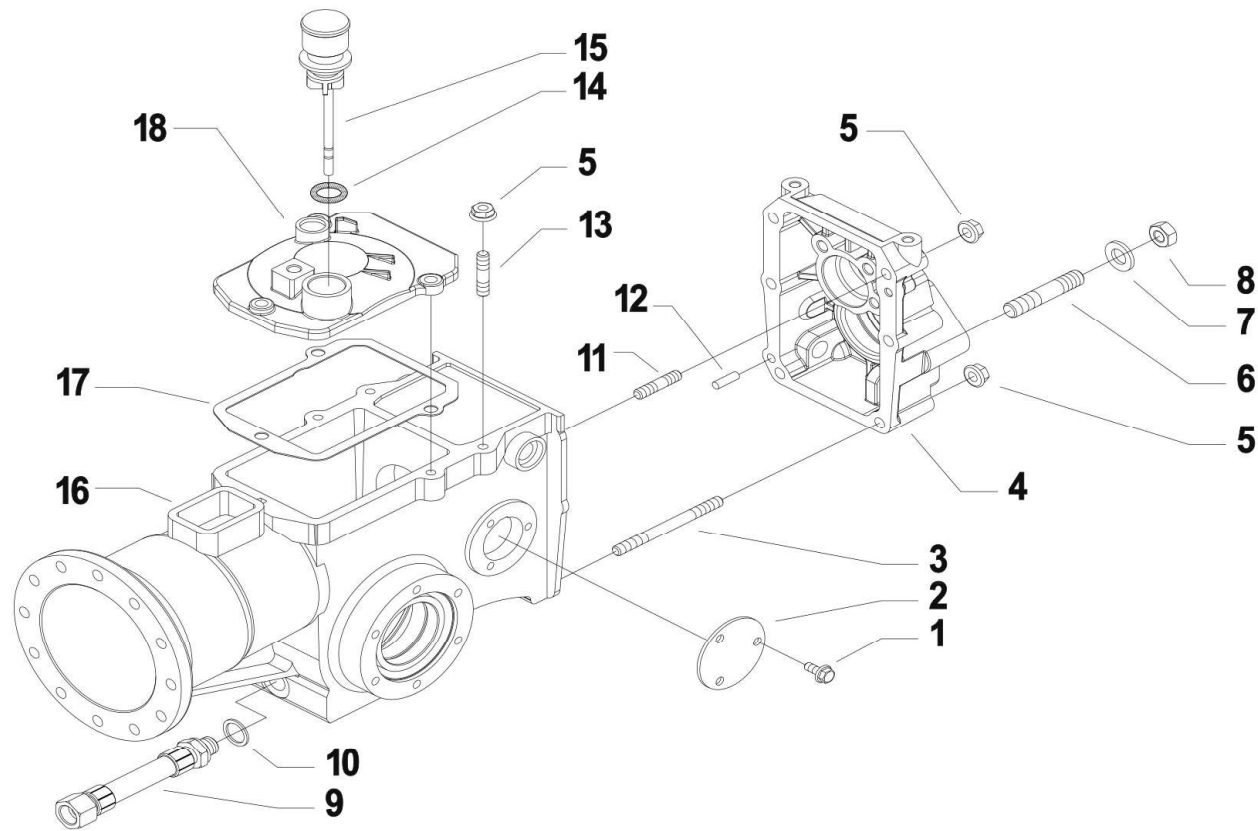
N.

| | |
|---------|------|
| | Rev. |
| G01 | 0 |
| 05/2009 | |



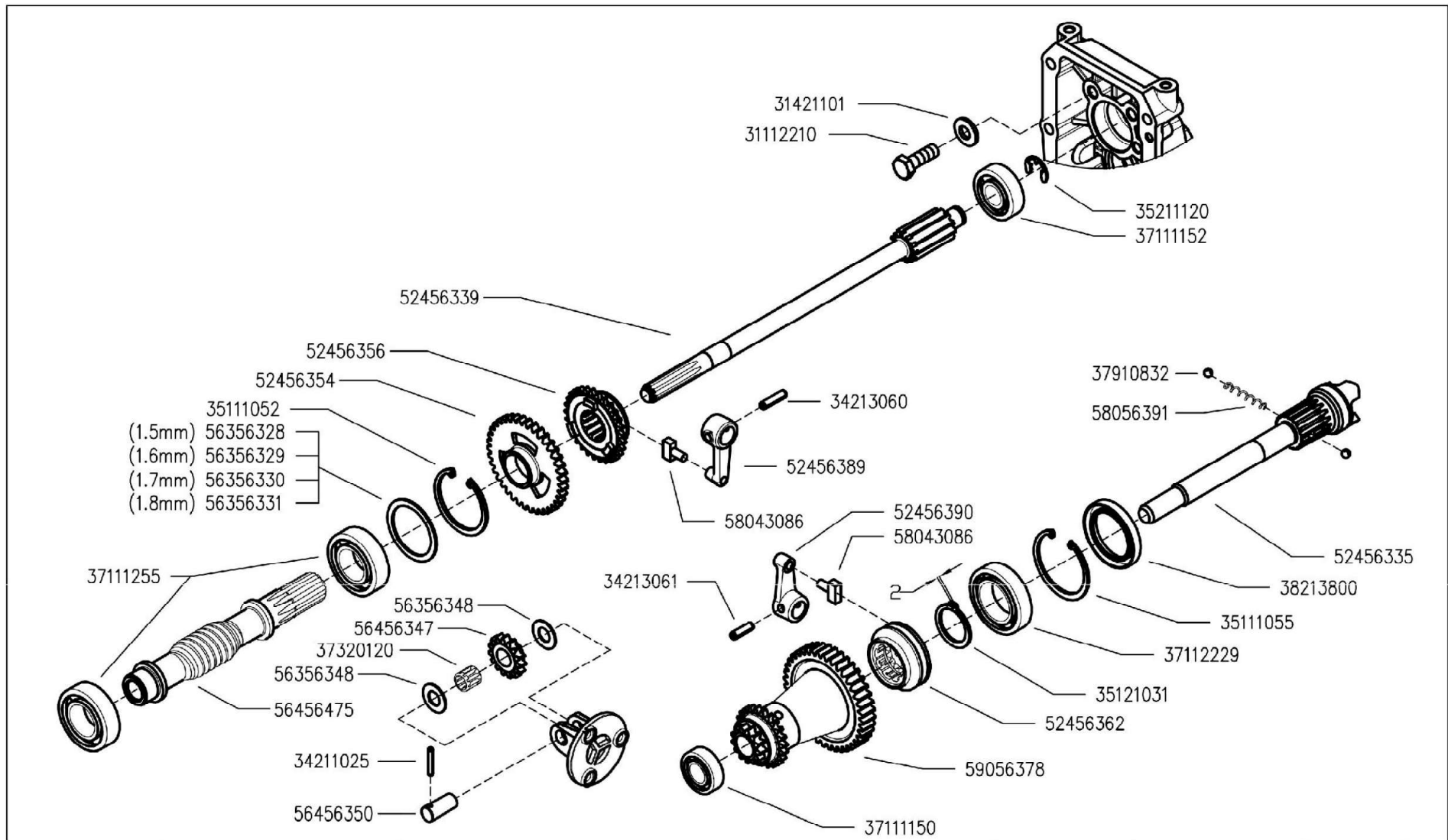
| Pos. | Id | Q.ty | Description | Note |
|-----------|-----------|------|------------------------------------|------|
| 30040133 | 30040133 | 1 | PLUG 22 DIN 470 | |
| 31112083 | 31112083 | 1 | SCREW M6X12 | |
| 31132562 | 31132562 | 1 | SCREW TSVEI M6X16 UNI 5933 | |
| 31221121 | 31221121 | 1 | NUT M12X1,25 | |
| 31241084 | 31241084 | 1 | SELFLOCK NUT M8 6S | |
| 31312082 | 31312082 | 1 | STUD BOLT M8X38X14X20 | |
| 31312086 | 31312086 | 1 | STUD BOLT M8X56X20X14 | |
| 31312094 | 31312094 | 1 | STUD BOLT M8X68X14X36 | |
| 31312124 | 31312124 | 1 | STUD BOLT 52XM12X1,25X22XM12X22 8G | |
| 31312125 | 31312125 | 1 | STUD BOLT 64XM12X1,25X26XM12X30 8G | |
| 31421132 | 31421132 | 1 | WASHER 13X24X2,8 | |
| 31480184 | 31480184 | 1 | COPPER WASHER 16,7x22/1,5 | |
| 55102678 | 55102678 | 1 | RUBBER RING | |
| 58043053 | 58043053 | 1 | CYLINDRICAL PLUG | |
| 58043117 | 58043117 | 1 | COVER GASKET | |
| 59056248 | 59056248 | 1 | SUCTION SHORT HOSE | |
| 59056672 | 59056672 | 1 | OIL LEVEL CAP W/SHAFT | |
| 53143128B | 53143128B | 1 | COVER | |
| 53143875B | 53143875B | 1 | GEARBOX HOUSING COVER | |
| 53156203B | 53156203B | 1 | BOX CASING | |
| 53156332B | 53156332B | 1 | REAR COVER | |
| 53156342B | 53156342B | 1 | GEAR SUPPORT | |
| 56147520Z | 56147520Z | 1 | COVER | |





| Pos. | Id | Q.ty | Description | Note |
|------|-----------|------|------------------------------------|----------------------------------|
| 1 | 31112083 | 1 | SCREW M6X12 | |
| 2 | 56147520Z | 1 | COVER | |
| 3 | 31312094 | 1 | STUD BOLT M8X68X14X36 | |
| 4 | 53156332B | 1 | REAR COVER | |
| 5 | 31241084 | 1 | SELFLOCK NUT M8 6S | |
| 6 | 31312125 | 1 | STUD BOLT 64XM12X1,25X26XM12X30 8G | |
| 7 | 31421132 | 1 | WASHER 13X24X2,8 | |
| 8 | 31221121 | 1 | NUT M12X1,25 | |
| 9 | 59056248 | 1 | SUCTION SHORT HOSE | |
| 10 | 31480184 | 1 | COPPER WASHER 16,7x22/1,5 | |
| 11 | 31312086 | 1 | STUD BOLT M8X56X20X14 | |
| 12 | 58043053 | 1 | CYLINDRICAL PLUG | |
| 13 | 31312082 | 1 | STUD BOLT M8X38X14X20 | |
| 14 | 55102678 | 1 | RUBBER RING | |
| 15 | 59056672 | 1 | OIL LEVEL CAP W/SHAFT | |
| 16 | 53156203B | 1 | BOX CASING | |
| 17 | 58043117 | 1 | COVER GASKET | |
| 18 | 53143128B | 1 | COVER | For models 710/720/728 PS Series |
| 18 | 53143875B | 1 | GEARBOX HOUSING COVER | For models 730/738 PS Series |





| | | | | | | | |
|--|--|---------------------|-----------------------------------|-------------------------|---|----|---------|
| | 700 serie PS PowerSafe® | GEARS ENGRANAJES | INGRANAGGI CAMBIO (710) | ENGRANAGES ZÄHNRÄDER | DALLA MACCHINA DE LA MAQUINA DE LA MAQUINA FROM THE MACHINE AB DER MASCHINE | N. | Rev. |
| | | | | | | | H01 0 |
| | | | | | | | 05/2009 |

DITE BCS - Scala 1:4

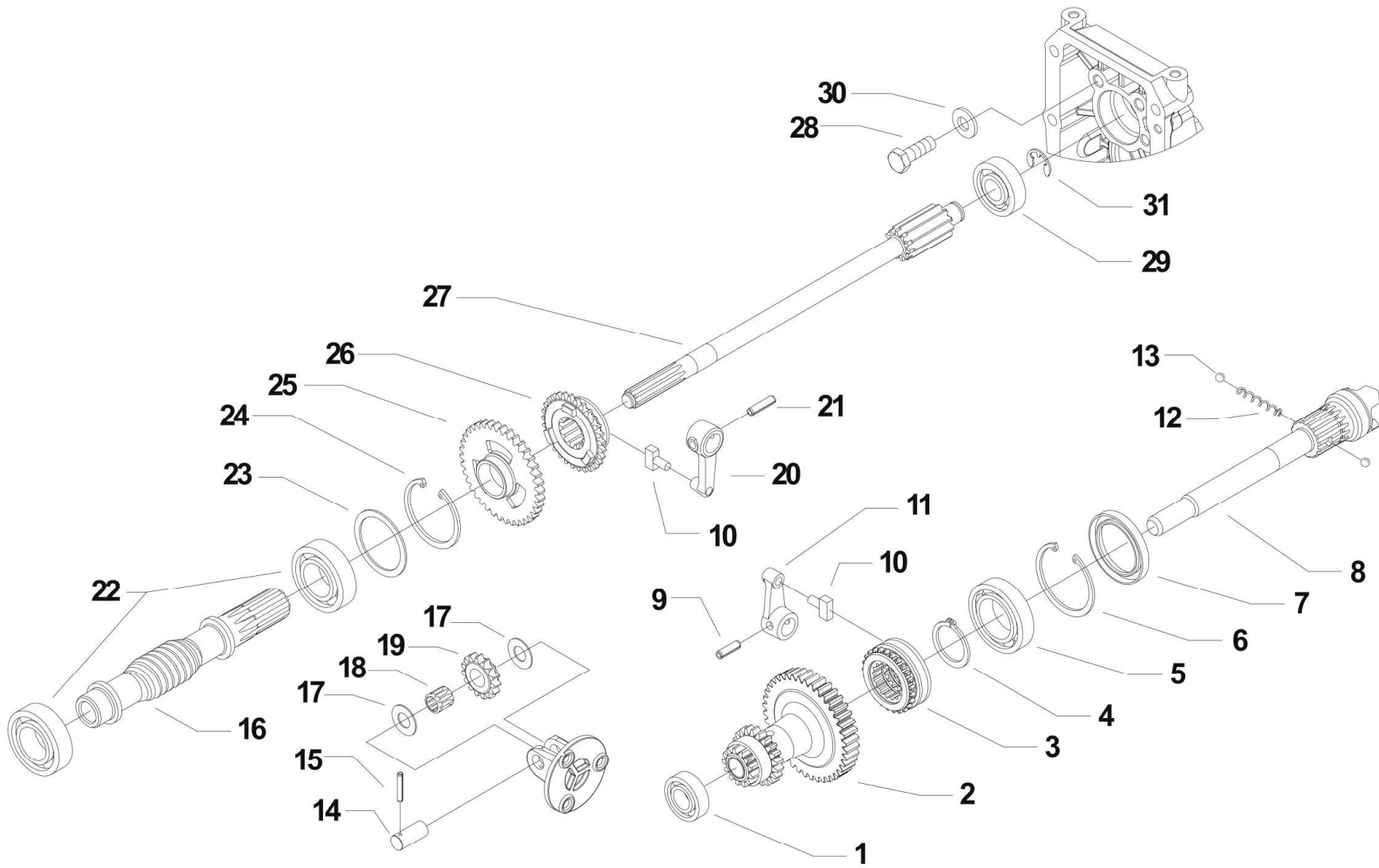


| Pos. | Id | Q.ty | Description | Note |
|----------|----------|------|-----------------------------|------|
| 31112210 | 31112210 | 1 | SCREW TE M10X20 UNI 5739 | |
| 31421101 | 31421101 | 1 | WASHER 10 DIN 679 | |
| 34211025 | 34211025 | 1 | ROLL PIN 2,5X22 DIN 1481 | |
| 34213060 | 34213060 | 1 | ROLL PIN | |
| 34213061 | 34213061 | 1 | ROLL PIN | |
| 35111052 | 35111052 | 1 | SEEGER RING I 52 DIN 472 | |
| 35111055 | 35111055 | 1 | SEEGER RING I 55 DIN 472 | |
| 35121031 | 35121031 | 1 | SEEGER RING E 30 UNI 7436 | |
| 35211120 | 35211120 | 1 | SEEGER RING E 12 UNI 7434 | |
| 37111150 | 37111150 | 1 | BEARING 6202 (15X35X11) | |
| 37111152 | 37111152 | 1 | BEARING 6302 (15X42X13) SKF | |
| 37111255 | 37111255 | 1 | BEARING 6205 (25X52X15) | |
| 37112229 | 37112229 | 1 | BEARING 6006 (30X55X13) SKF | |
| 37320120 | 37320120 | 1 | ROLLER CAGE 12X15/10 | |
| 37910832 | 37910832 | 1 | BALL 1/4 | |
| 38213800 | 38213800 | 1 | OIL SEAL 38X55X7 | |
| 52456335 | 52456335 | 1 | PTO SHAFT L=161 | |
| 52456339 | 52456339 | 1 | SHAFT | |
| 52456354 | 52456354 | 1 | GEAR | |
| 52456356 | 52456356 | 1 | SLIDER | |
| 52456362 | 52456362 | 1 | COUPLING | |
| 52456389 | 52456389 | 1 | LEVER | |
| 52456390 | 52456390 | 1 | LEVER | |
| 56356328 | 56356328 | 1 | ADJUSTING RING SP=1,5 | |
| 56356329 | 56356329 | 1 | ADJUSTING RING SP=1,6 | |
| 56356330 | 56356330 | 1 | ADJUSTING RING SP=1,7 | |
| 56356331 | 56356331 | 1 | ADJUSTING RING SP=1,8 | |
| 56356348 | 56356348 | 1 | ADJUSTING RING | |
| 56456347 | 56456347 | 1 | GEAR | |



| Pos. | Id | Q.ty | Description | Note |
|----------|----------|------|--------------------|------|
| 56456350 | 56456350 | 1 | GEAR PIN | |
| 56456475 | 56456475 | 1 | SCREW 2 | |
| 58043086 | 58043086 | 1 | SHOE | |
| 58056391 | 58056391 | 1 | SPRING | |
| 59056378 | 59056378 | 1 | TRANSMISSION SHAFT | |



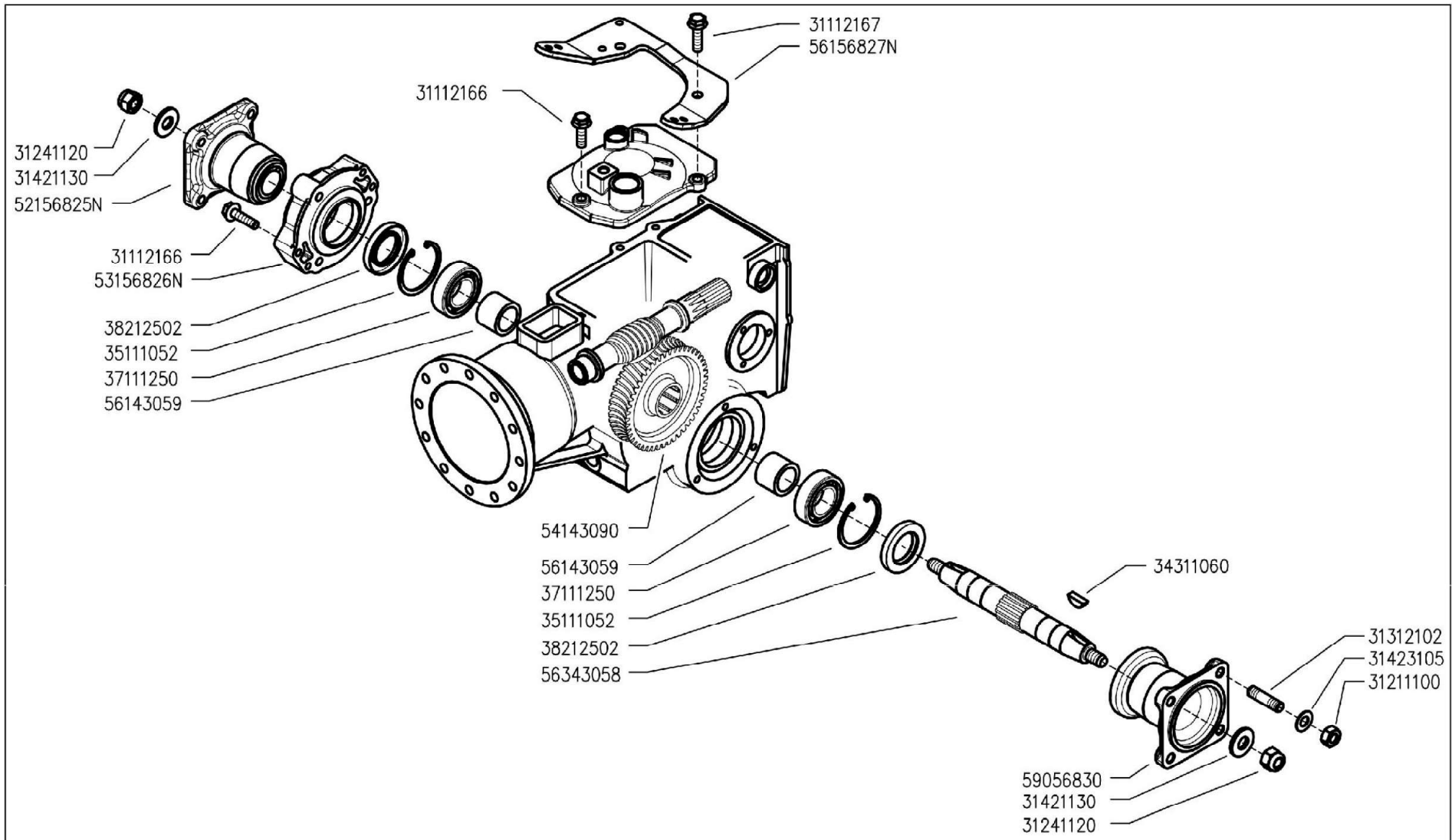


| Pos. | Id | Q.ty | Description | Note |
|------|----------|------|-----------------------------|-----------------------------|
| 1 | 37111150 | 1 | BEARING 6202 (15X35X11) | |
| 2 | 59056395 | 1 | TRANSMISSION SHAFT | Replaces 59056378 +52456362 |
| 3 | 52456706 | 1 | PTO COUPLING | Replaces 59056378 +52456362 |
| 4 | 35121031 | 1 | SEEGER RING E 30 UNI 7436 | |
| 5 | 37112229 | 1 | BEARING 6006 (30X55X13) SKF | |
| 6 | 35111055 | 1 | SEEGER RING I 55 DIN 472 | |
| 7 | 38213800 | 1 | OIL SEAL 38X55X7 | |
| 8 | 52456335 | 1 | PTO SHAFT L=161 | |
| 9 | 34213061 | 1 | ROLL PIN | |
| 10 | 58043086 | 1 | SHOE | |
| 11 | 52456390 | 1 | LEVER | |
| 12 | 58056391 | 1 | SPRING | |
| 13 | 37910832 | 1 | BALL 1/4 | |
| 14 | 56456350 | 1 | GEAR PIN | |
| 15 | 34211025 | 1 | ROLL PIN 2,5X22 DIN 1481 | |
| 16 | 56456475 | 1 | SCREW 2 | |
| 17 | 56356348 | 1 | ADJUSTING RING | |
| 18 | 37320120 | 1 | ROLLER CAGE 12X15/10 | |
| 19 | 56456347 | 1 | GEAR | |
| 20 | 52456389 | 1 | LEVER | |
| 21 | 34213060 | 1 | ROLL PIN | |
| 22 | 37111255 | 1 | BEARING 6205 (25X52X15) | |
| 23 | 56356328 | 1 | ADJUSTING RING SP=1,5 | |
| 23 | 56356329 | 1 | ADJUSTING RING SP=1,6 | |
| 23 | 56356330 | 1 | ADJUSTING RING SP=1,7 | |
| 23 | 56356331 | 1 | ADJUSTING RING SP=1,8 | |
| 24 | 35111052 | 1 | SEEGER RING I 52 DIN 472 | |
| 25 | 52456354 | 1 | GEAR | |
| 26 | 52456356 | 1 | SLIDER | |



| Pos. | Id | Q.ty | Description | Note |
|------|----------|------|-----------------------------|------|
| 27 | 52456339 | 1 | SHAFT | |
| 28 | 31112210 | 1 | SCREW TE M10X20 UNI 5739 | |
| 29 | 37111152 | 1 | BEARING 6302 (15X42X13) SKF | |
| 30 | 31421101 | 1 | WASHER 10 DIN 679 | |
| 31 | 35211120 | 1 | SEEGER RING E 12 UNI 7434 | |



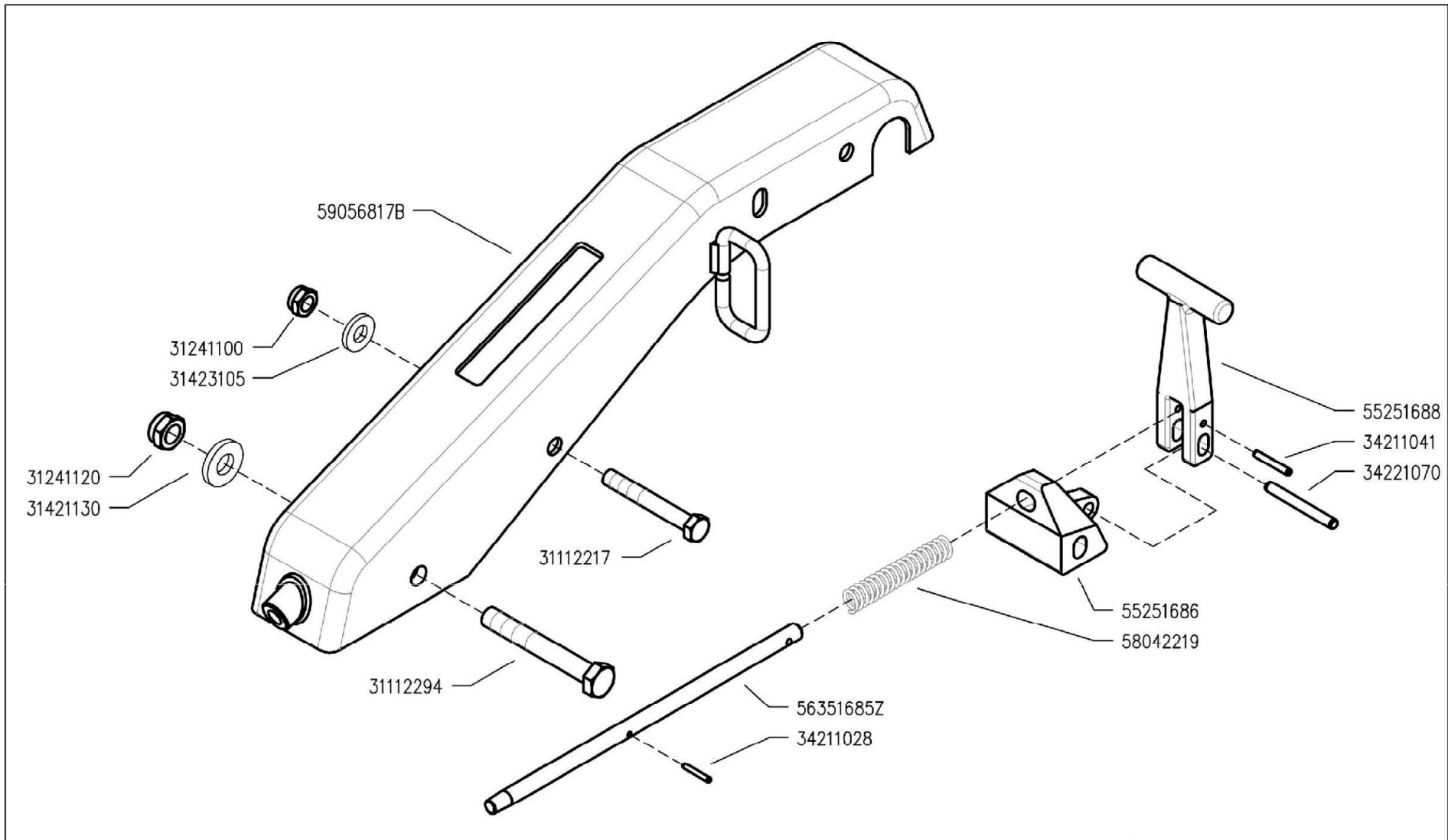


| | | | | | | | | |
|--|--|---------------------------|--------------------------------|---------------------------|--|----|---------|-----------------------|
| | 700 serie PS PowerSafe® | WHEELS AXLE EJE RUEDAS | ASSE RUOTE (710-720) | ESSIEUS ROUES RÄDACHSE | DALLA MACCHINA DE LA MAQUINA FROM THE MACHINE AB DER MASCHINE | N. | 101 | Rev. 0 |
| | | | | | | | 05/2009 | DATE: BCS - Scala 1:5 |



| Pos. | Id | Q.ty | Description | Note |
|-----------|-----------|------|--------------------------------|------|
| 31112166 | 31112166 | 1 | SCREW TE C/F M8X25 DIN 6921 8G | |
| 31112167 | 31112167 | 1 | SCREW TE C/F M8X30 DIN 6921 8G | |
| 31211100 | 31211100 | 1 | NUT M10 | |
| 31241120 | 31241120 | 1 | SELFLOCK NUT M12 | |
| 31312102 | 31312102 | 1 | STUD BOLT M10X40X24X12 | |
| 31421130 | 31421130 | 1 | WASHER | |
| 31423105 | 31423105 | 1 | SPRING WASHER 10,5 | |
| 34311060 | 34311060 | 1 | KEY 6X10 UNI 6606 | |
| 35111052 | 35111052 | 1 | SEEGER RING I 52 DIN 472 | |
| 37111250 | 37111250 | 1 | BEARING | |
| 38212502 | 38212502 | 1 | OIL SEAL 25X52X7 | |
| 54143090 | 54143090 | 1 | CROWN WHEELZ=49 DESTROSA | |
| 56143059 | 56143059 | 1 | SPACER | |
| 56343058 | 56343058 | 1 | AXLE SHAFT | |
| 59056830 | 59056830 | 1 | WHEEL HUB | |
| 52156825N | 52156825N | 1 | WHEEL HUB | |
| 53156826N | 53156826N | 1 | FLANGE | |
| 56156827N | 56156827N | 1 | STOP | |





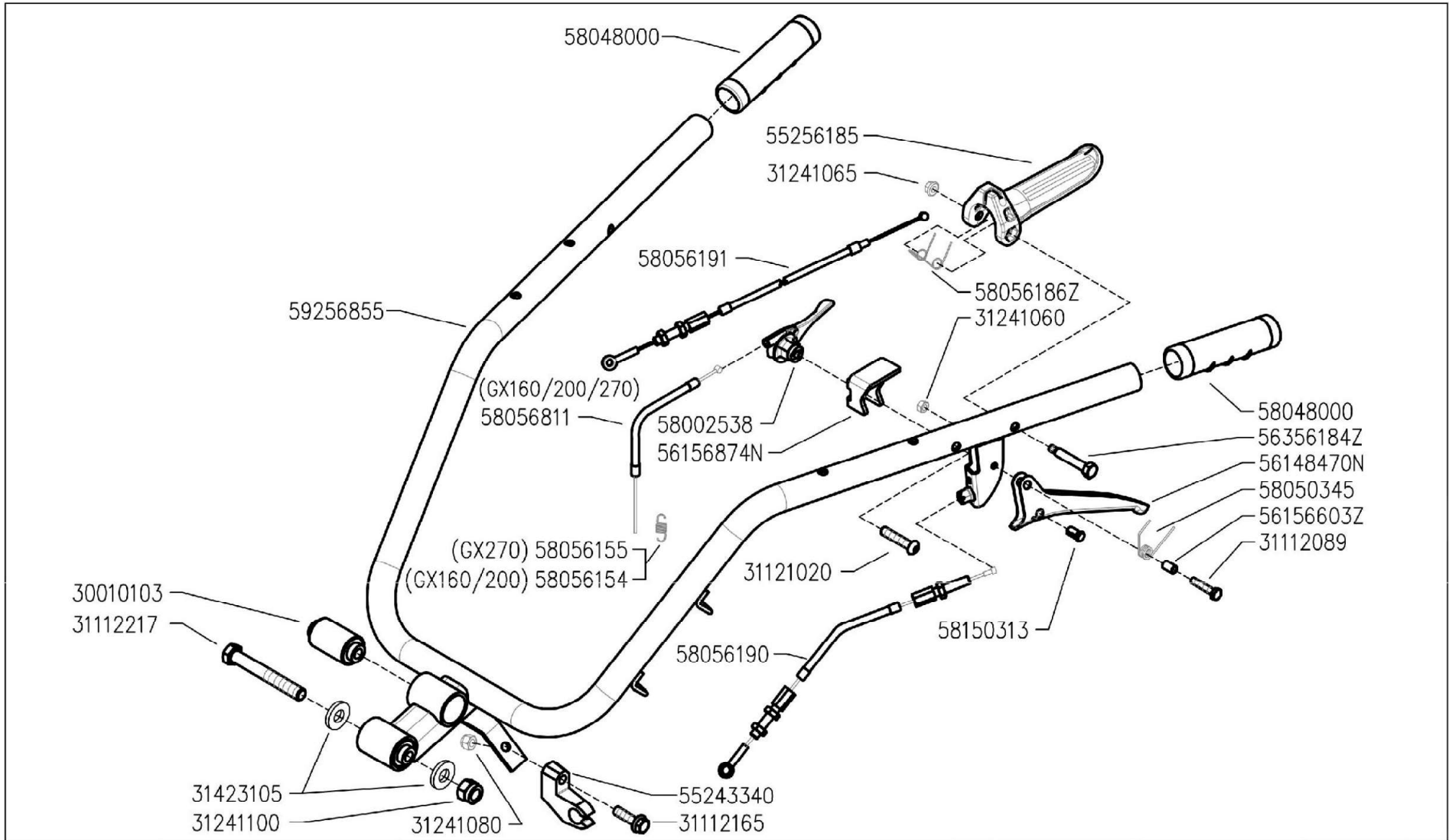
| | | | | | | | | |
|--|--|----------------------------|-------------------|----------------------|--|--------------------------|-----|---------|
| | 700 serie PS PowerSafe® | STEERING COLUMN COLUMNA | PIANTONE (710) | PLANTON LENKSÄULE | DALLA MACCHINA DE LA MAQUINA FROM THE MACHINE AB DER MASCHINE | <input type="checkbox"/> | J01 | Rev. 0 |
| | | | | | | N. | | 05/2009 |

DTE.BCS - Scala 1:3



| Pos. | Id | Q.ty | Description | Note |
|-----------|-----------|------|--------------------------------|------|
| 31112217 | 31112217 | 1 | SCREW TE M10X80 UNI 5737 | |
| 31112294 | 31112294 | 1 | SCREW TE M12X85 UNI 5737 | |
| 31241100 | 31241100 | 1 | SELFLOCK HEXAGON NUT M10 | |
| 31241120 | 31241120 | 1 | SELFLOCK NUT M12 | |
| 31421130 | 31421130 | 1 | WASHER | |
| 31423105 | 31423105 | 1 | SPRING WASHER 10,5 | |
| 34211028 | 34211028 | 1 | ROLL PIN 3,0X18 DIN 1481 | |
| 34211041 | 34211041 | 1 | ROLL PIN | |
| 34221070 | 34221070 | 1 | CYLINDRICAL PLUG 8X50 UNI 1707 | |
| 55251686 | 55251686 | 1 | LEVER BEARING | |
| 55251688 | 55251688 | 1 | LEVER | |
| 58042219 | 58042219 | 1 | SPRING | |
| 56351685Z | 56351685Z | 1 | ROD | |
| 59056817B | 59056817B | 1 | COLUMN | |





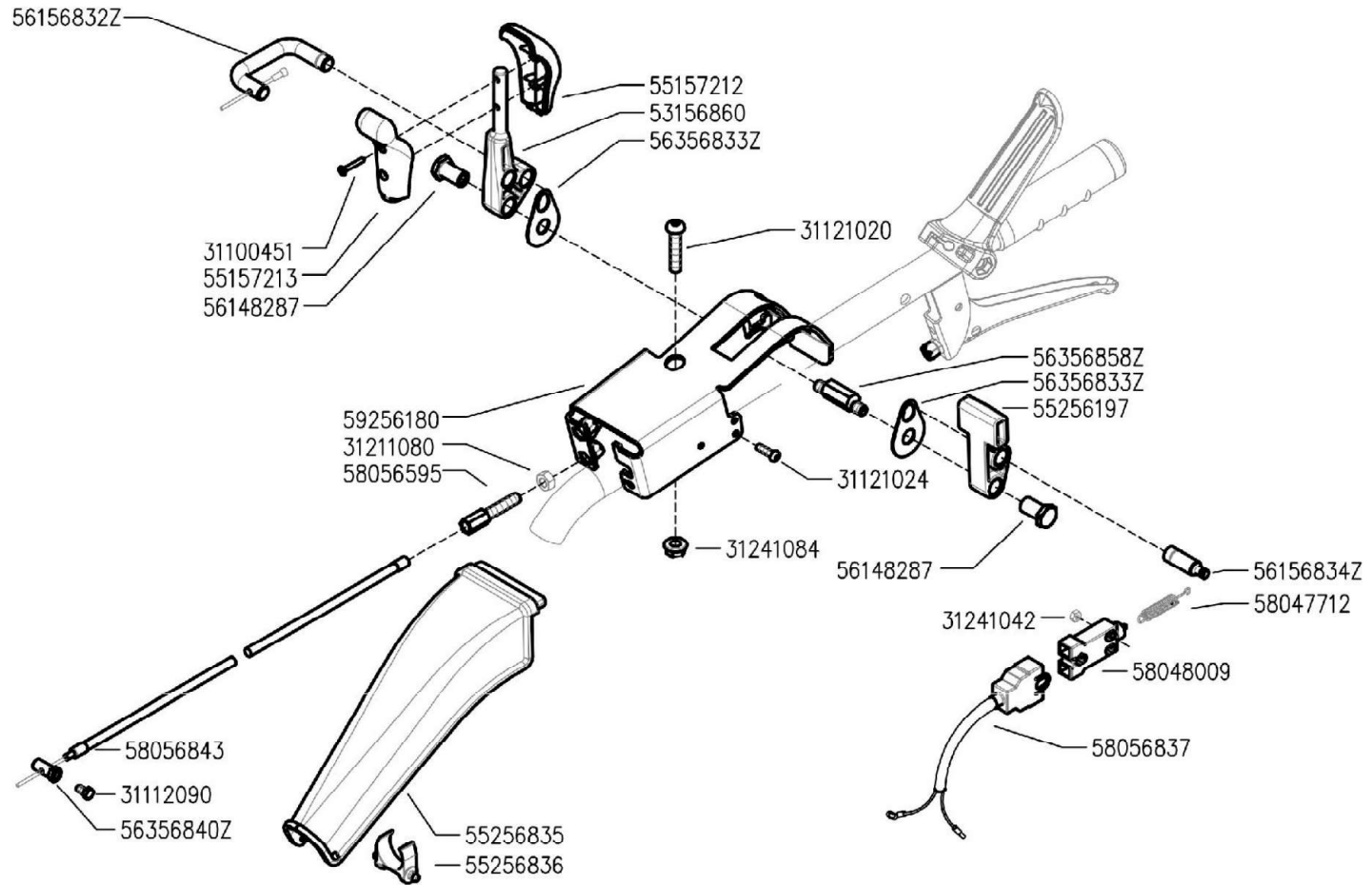
| | | | | | | | |
|---|--|-----------------------|--------------------------|----------------------|--|----|---------|
|  | 700 serie PS PowerSafe® | HANDLEBAR MANILLAR | MANUBRIO (710) | MANCHERON LINCHER | DALLA MACCHINA DE LA MAQUINA FROM THE MACHINE AB DER MASCHINE | N. | Rev. |
| | | | | | | | K01 0 |
| | | | | | | | 05/2009 |

DITE.BCS - Scala 1:5



| Pos. | Id | Q.ty | Description | Note |
|-----------|-----------|------|---------------------------------|------|
| 30010103 | 30010103 | 1 | SILENT-BLOCK 10,2X30X45X60,5 | |
| 31112089 | 31112089 | 1 | SCREW TE M6X25 UNI 5739 8G | |
| 31112165 | 31112165 | 1 | SCREW TE C/F M8X35 DIN 6921 8G | |
| 31112217 | 31112217 | 1 | SCREW TE M10X80 UNI 5737 | |
| 31121020 | 31121020 | 1 | SCREW TBCEI M8X40 ISO7380 10K Z | |
| 31241060 | 31241060 | 1 | HEXAGON SELFLOCK NUT M6 | |
| 31241065 | 31241065 | 1 | SELFLOCK NUT M6 | |
| 31241080 | 31241080 | 1 | HEXAGON SELFLOCK NUT M8 | |
| 31241100 | 31241100 | 1 | SELFLOCK HEXAGON NUT M10 | |
| 31423105 | 31423105 | 1 | SPRING WASHER 10,5 | |
| 55243340 | 55243340 | 1 | SUPPORT | |
| 55256185 | 55256185 | 1 | LEVER | |
| 58002538 | 58002538 | 1 | ACCELERATOR | |
| 58048000 | 58048000 | 1 | KNOB D=27 | |
| 58050345 | 58050345 | 1 | SPRING | |
| 58056154 | 58056154 | 1 | RESTORING SPRING | |
| 58056155 | 58056155 | 1 | RESTORING SPRING | |
| 58056190 | 58056190 | 1 | LINE L=1460 | |
| 58056191 | 58056191 | 1 | LINE L=1560 | |
| 58056811 | 58056811 | 1 | LINE AND SHEATH L=1850 | |
| 58150313 | 58150313 | 1 | CABLE CLAMP | |
| 59256855 | 59256855 | 1 | HANDLE BAR | |
| 56148470N | 56148470N | 1 | LEVER | |
| 56156603Z | 56156603Z | 1 | SPACER | |
| 56156874N | 56156874N | 1 | PANEL | |
| 56356184Z | 56356184Z | 1 | LEVER PIN | |
| 58056186Z | 58056186Z | 1 | SPRING | |





700 serie PS
PowerSafe®

HANDLEBAR CONTROLS
CONTROLES EN EL MANILLAR

COMANDI SUL MANUBRIO
(710)

CONTROLES SUR LE MANCHERON
KONTROLLEN AM LINCHER

DALLA MACCHINA
DE LA MAQUINA
FROM THE MACHINE
AB DER MASCHINE

N.

L01

05/2009

Rev.

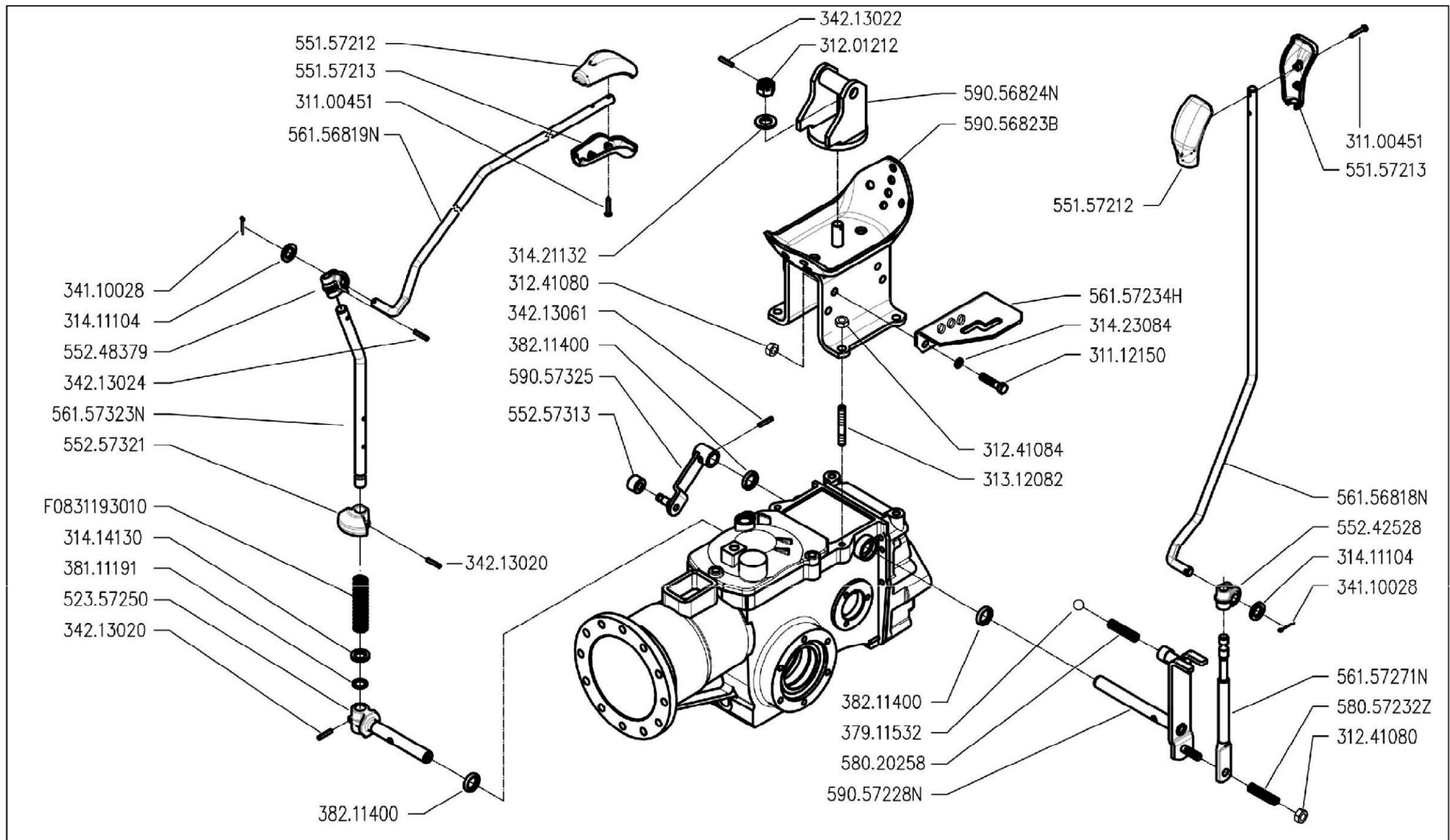
0


DITE.BCS - Scala 1:5



| Pos. | Id | Q.ty | Description | Note |
|-----------|-----------|------|---------------------------------|------|
| 31100451 | 31100451 | 1 | SCREW 3,5X25 | |
| 31112090 | 31112090 | 1 | SCREW TE M6X16 UNI 5739 8G | |
| 31121020 | 31121020 | 1 | SCREW TBCEI M8X40 ISO7380 10K Z | |
| 31121024 | 31121024 | 1 | SCREW TBCEI FL.M4X25 | |
| 31211080 | 31211080 | 1 | NUT M8 | |
| 31241042 | 31241042 | 1 | SELFLOCK NUT M4 FL.6S | |
| 31241084 | 31241084 | 1 | SELFLOCK NUT M8 6S | |
| 53156860 | 53156860 | 1 | COMMAND LEVER | |
| 55157212 | 55157212 | 1 | GRIP | |
| 55157213 | 55157213 | 1 | GRIP | |
| 55256197 | 55256197 | 1 | MOTOR STOP LEVER | |
| 55256835 | 55256835 | 1 | PROTECTION COVER | |
| 55256836 | 55256836 | 1 | SUPPORT, ELECTRICAL BOX | |
| 56148287 | 56148287 | 1 | STUD BOLT | |
| 58047712 | 58047712 | 1 | SPRING | |
| 58048009 | 58048009 | 1 | ENGINE STOP SWITCH | |
| 58056595 | 58056595 | 1 | ADJUSTING SCREW M8 | |
| 58056837 | 58056837 | 1 | WIRING | |
| 58056843 | 58056843 | 1 | LINE AND SHEATH L=980 | |
| 59256180 | 59256180 | 1 | SUPPORT | |
| 56156832Z | 56156832Z | 1 | U BOLT | |
| 56156834Z | 56156834Z | 1 | INDEXING BOLT | |
| 56356833Z | 56356833Z | 1 | SMALL PLATE | |
| 56356840Z | 56356840Z | 1 | CLAMPING SCREW | |
| 56356858Z | 56356858Z | 1 | PIN | |





| | | | | | | | |
|---|--|--------------------|-------------------------|-------|---|---------|-----------------------|
|  | 700 serie PS PowerSafe® | CONTROLS MANDOS | COMANDI (710) | | DALLA MACCHINA DE LA MAQUINA DE LA MAQUINA FROM THE MACHINE AB DER MASCHINE | N. | Rev. |
| | | | COMMANDES ANTRIEBE | M01 0 | | | |
| | | | | | | 05/2009 | DATE: BCS - Scala 1:6 |

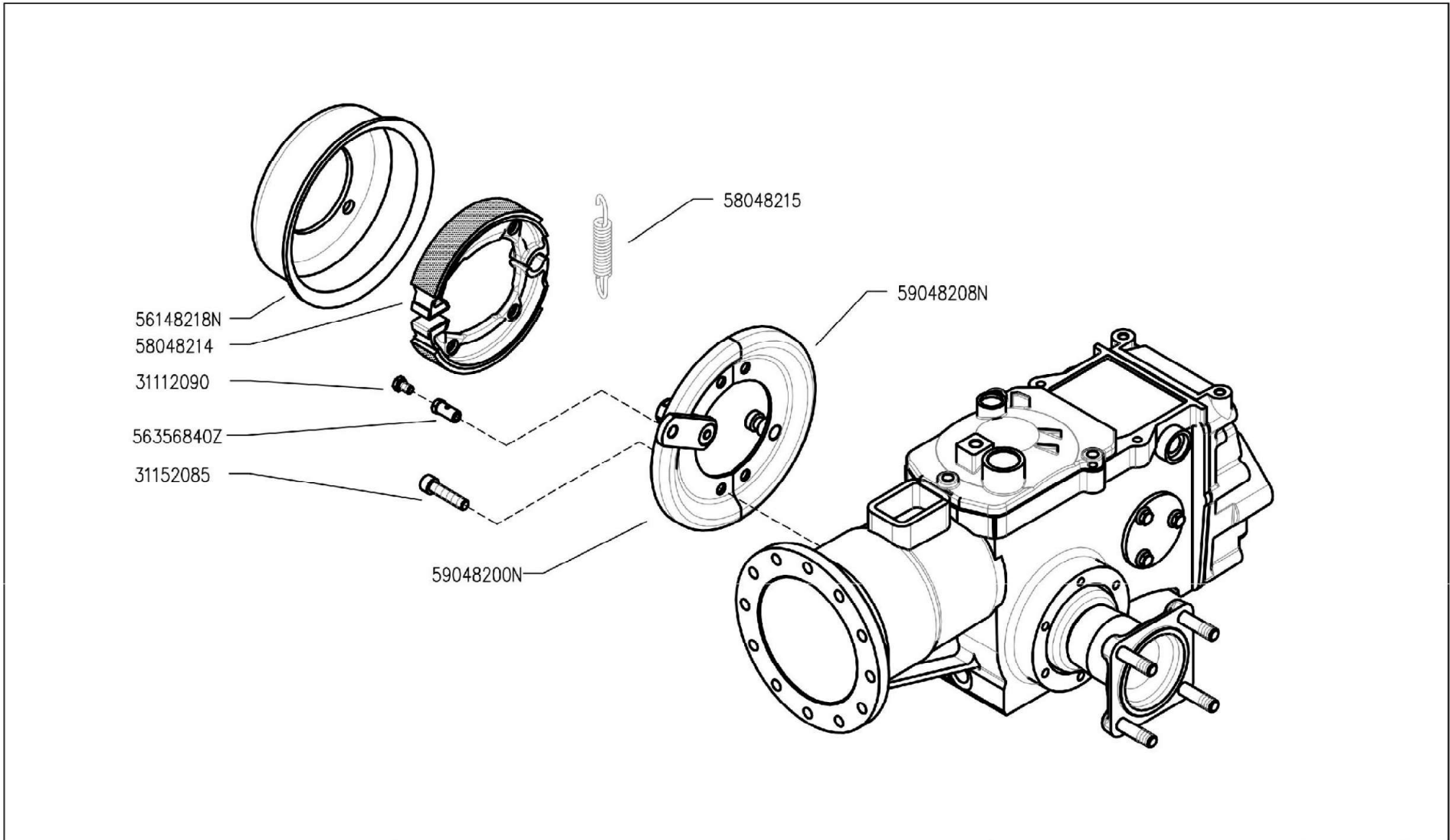


| Pos. | Id | Q.ty | Description | Note |
|-----------|-----------|------|----------------------------|------|
| 31100451 | 31100451 | 1 | SCREW 3,5X25 | |
| 31112150 | 31112150 | 1 | SCREW TE M8X20 UNI 5739 8G | |
| 31201212 | 31201212 | 1 | NUT M12 UNI 5593 6S | |
| 31241080 | 31241080 | 1 | HEXAGON SELFLOCK NUT M8 | |
| 31241084 | 31241084 | 1 | SELFLOCK NUT M8 6S | |
| 31312082 | 31312082 | 1 | STUD BOLT M8X38X14X20 | |
| 31411104 | 31411104 | 1 | WASHER 10,5x18 | |
| 31414130 | 31414130 | 1 | WASHER 13 | |
| 31421132 | 31421132 | 1 | WASHER 13X24X2,8 | |
| 31423084 | 31423084 | 1 | SPRING WASHER 8,4 | |
| 34110028 | 34110028 | 1 | SPLIT PIN A3X15 UNI 1336 | |
| 34213020 | 34213020 | 1 | ROLL PIN | |
| 34213022 | 34213022 | 1 | ROLL PIN | |
| 34213024 | 34213024 | 1 | ROLL PIN | |
| 34213061 | 34213061 | 1 | ROLL PIN | |
| 37911532 | 37911532 | 1 | BALL 15/32 | |
| 38111191 | 38111191 | 1 | O-RING 115 (11,91X2,62) | |
| 38211400 | 38211400 | 1 | OIL SEAL 14X22X4 | |
| 52357250 | 52357250 | 1 | PIN | |
| 55157212 | 55157212 | 1 | GRIP | |
| 55157213 | 55157213 | 1 | GRIP | |
| 55242528 | 55242528 | 1 | JOINT | |
| 55248379 | 55248379 | 1 | PTO JOINT | |
| 55257313 | 55257313 | 1 | ROLLER | |
| 55257321 | 55257321 | 1 | STOP | |
| 58020258 | 58020258 | 1 | GEAR RATIO TWITCH SPRING | |
| 59057325 | 59057325 | 1 | LEVER | |
| 56156818N | 56156818N | 1 | PULL ROD | |
| 56156819N | 56156819N | 1 | PULL ROD | |



| Pos. | Id | Q.ty | Description | Note |
|-------------|-------------|------|-----------------|------|
| 56157234H | 56157234H | 1 | GEAR SELECTOR | |
| 56157271N | 56157271N | 1 | COMMAND LEVER | |
| 56157323N | 56157323N | 1 | PTO LEVER | |
| 58057232Z | 58057232Z | 1 | SPRING | |
| 59056823B | 59056823B | 1 | SUMP | |
| 59056824n | 59056824N | 1 | SUPPORT | |
| 59057228N | 59057228N | 1 | GEAR LEVER | |
| F0831193010 | F0831193010 | 1 | SPRING DM.15X70 | |





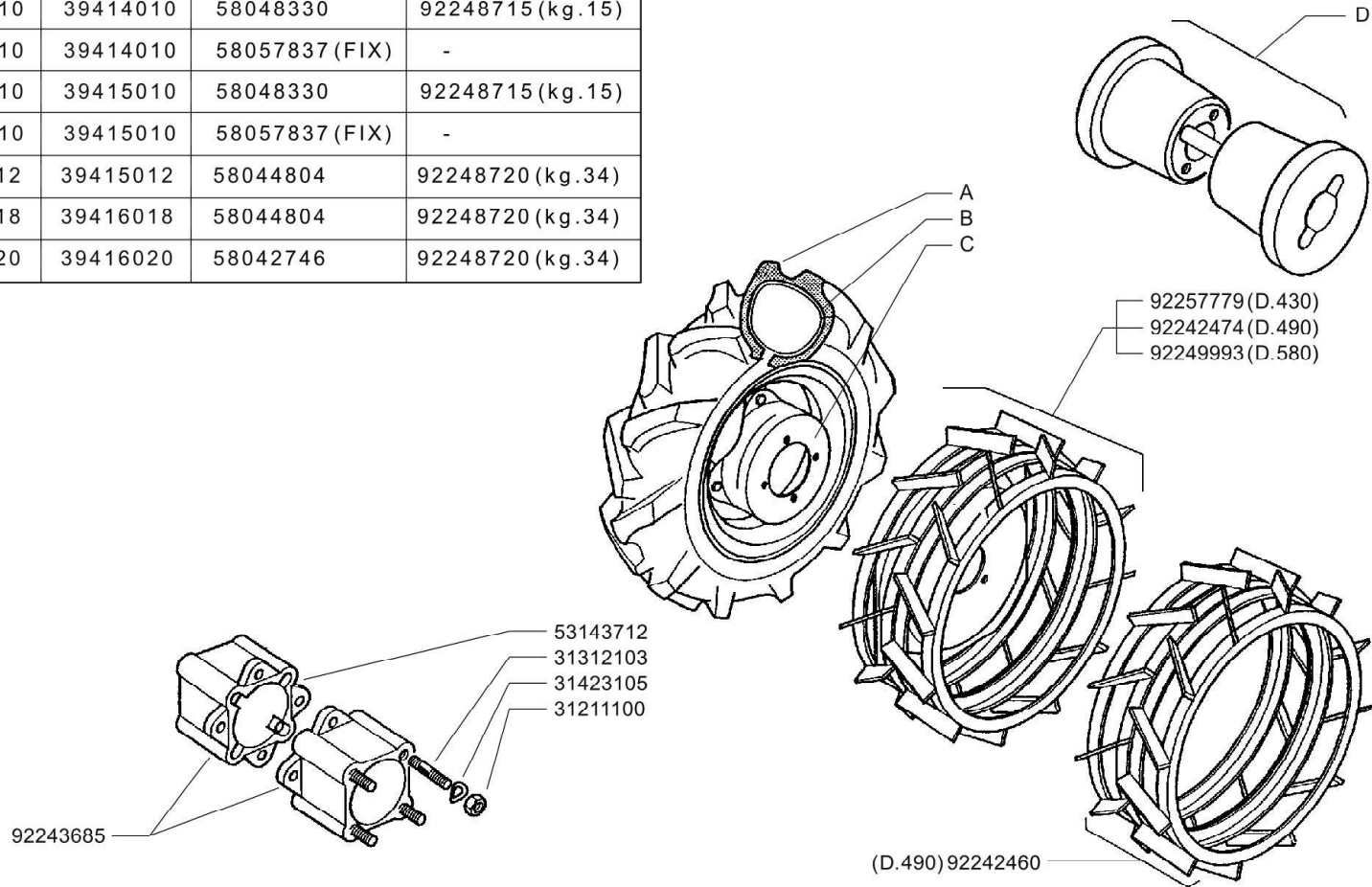
| | | | | | | | |
|---|--|----------------|---------------------------|-----------------|---|----------------------------------|----------------------|
|  | 700 serie PS PowerSafe® | BRAKE FRENO | FRENO (710-720) | FREIN BREMSE | DALLA MACCHINA DE LA MAQUINA DE LA MAQUINA FROM THE MACHINE AB DER MASCHINE N. | _____ _____ _____ _____ | Rev. N01 0 |
| | | | | | | 05/2009 | |



| Pos. | Id | Q.ty | Description | Note |
|-----------|-----------|------|----------------------------|------|
| 31112090 | 31112090 | 1 | SCREW TE M6X16 UNI 5739 8G | |
| 31152085 | 31152085 | 1 | SCREW TCEI M8X25 UNI 5931 | |
| 58048214 | 58048214 | 1 | BRAKE BLOCK | |
| 58048215 | 58048215 | 1 | SPRING | |
| 56148218N | 56148218N | 1 | BRAKE DRUM | |
| 56356840Z | 56356840Z | 1 | CLAMPING SCREW | |
| 59048200N | 59048200N | 1 | HALF DISC | |
| 59048208N | 59048208N | 1 | HALF DISC | |



| | A | B | C | D |
|--------------|----------|----------|----------------|------------------|
| 4.00 - 8" | 39114008 | 39414008 | 58043250 | 92243686 (kg.10) |
| 4.0 - 10" | 39114010 | 39414010 | 58048330 | 92248715 (kg.15) |
| 4.0 - 10" | 39114010 | 39414010 | 58057837 (FIX) | - |
| 5.0 - 10" | 39115010 | 39415010 | 58048330 | 92248715 (kg.15) |
| 5.0 - 10" | 39115010 | 39415010 | 58057837 (FIX) | - |
| 5.00 - 12" | 39115012 | 39415012 | 58044804 | 92248720 (kg.34) |
| 6.5/80 - 12" | 39116018 | 39416018 | 58044804 | 92248720 (kg.34) |
| 6.5/80 - 15" | 39116020 | 39416020 | 58042746 | 92248720 (kg.34) |



700 serie PS
PowerSafe®

RUOTE

WHEELS
RUEDAS

ROUES
RÄDER

DALLA MACCHINA
FROM THE MACHINE
DE LA MACHINE
DE LA MAQUINA
AB DER MASCHINE

N.

P01 0

05/2009

Rev.

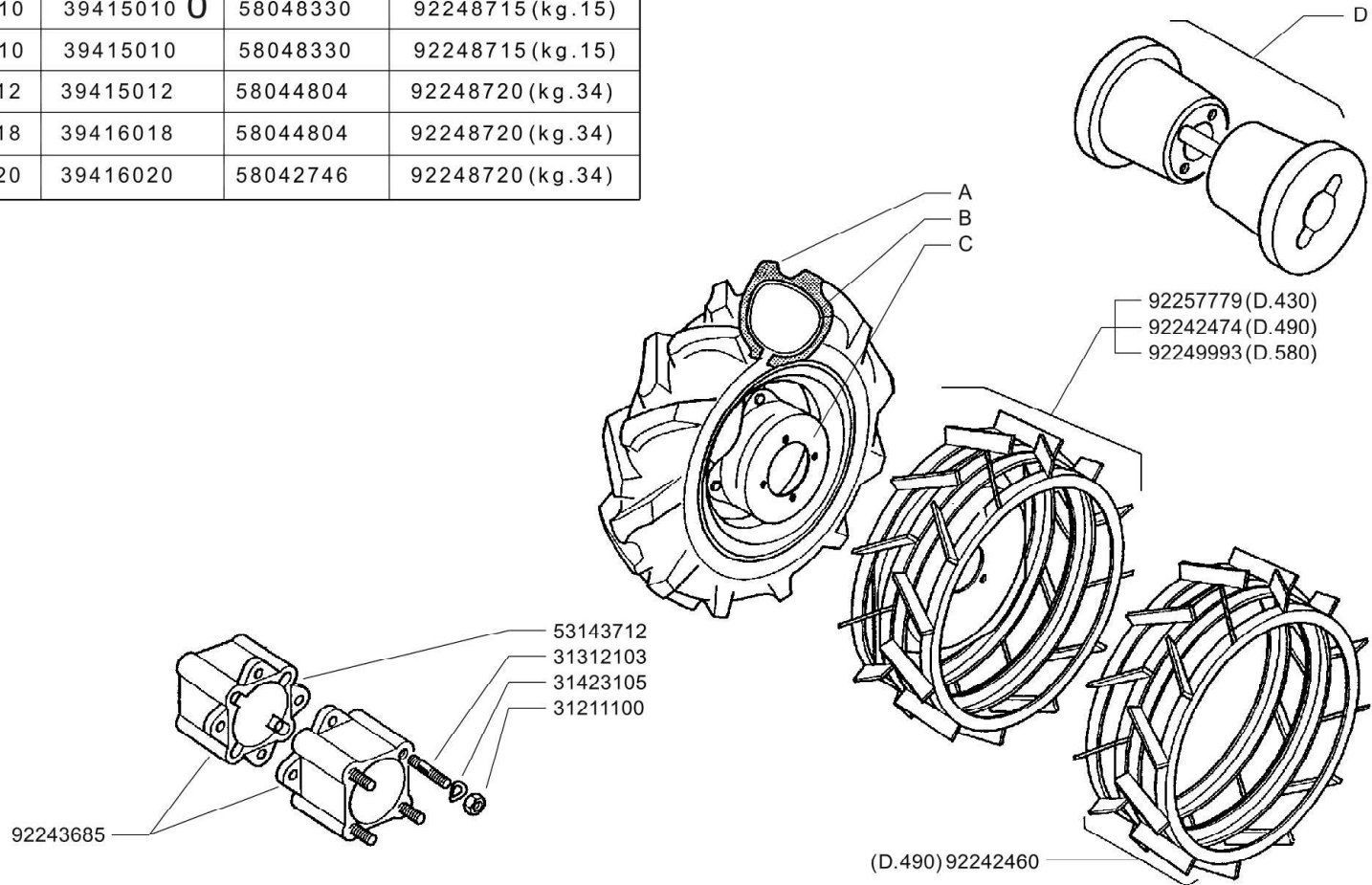
ZENE



| Pos. | Id | Q.ty | Description | Note |
|----------|----------|------|---|------|
| 31211100 | 31211100 | 1 | NUT M10 | |
| 31312103 | 31312103 | 1 | STUD BOLT M10X46X24X16 | |
| 31423105 | 31423105 | 1 | SPRING WASHER 10,5 | |
| 39114008 | 39114008 | 1 | TYRE 4.00-8 2PR | |
| 39114010 | 39114010 | 1 | TYRE 4.0-10 2PR | |
| 39115010 | 39115010 | 1 | TYRE 5.00-10 2PR | |
| 39115012 | 39115012 | 1 | TYRE 5.00-12 2PR | |
| 39116018 | 39116018 | 1 | TYRE 6.5/80-12 2PR | |
| 39116020 | 39116020 | 1 | TYRE 6.5/80-15 4PR | |
| 39414008 | 39414008 | 1 | INNER TUBE X 4.00-8 | |
| 39414010 | 39414010 | 1 | INNER TUBE x 4.0-10 | |
| 39415010 | 39415010 | 1 | INNER TUBE X 4.0/5.0-10 | |
| 39415012 | 39415012 | 1 | INNER TUBE | |
| 39416018 | 39416018 | 1 | INNER TUBE X 6-5/80-12 | |
| 39416020 | 39416020 | 1 | INNER TUBE X 6.5/80-15 | |
| 53143712 | 53143712 | 1 | SPACER | |
| 58042746 | 58042746 | 1 | RIM 5J15 CR | |
| 58043250 | 58043250 | 1 | RIM 2.50-8 | |
| 58044804 | 58044804 | 1 | RIM 5JA12 | |
| 58048330 | 58048330 | 1 | RIM 3.50D10 CR | |
| 58057837 | 58057837 | 1 | RIM 3.50 D-10 | |
| 92242460 | 92242460 | 1 | TWINNING RINGS CM 49 (PAIR) | |
| 92242474 | 92242474 | 1 | STEEL CAGE WHEELS 49 CM (PAIR) FOR XB 40 | |
| 92243685 | 92243685 | 1 | WHEEL SPACERS CM 6 (PAIR) | |
| 92243686 | 92243686 | 1 | PAIR OF WEIGHTS FOR 8 WHEELS 11 KGS | |
| 92248715 | 92248715 | 1 | WEIGHTS FOR WHEELS 10 EACH KG 15 (PAIR) | |
| 92248720 | 92248720 | 1 | WEIGHTS FOR WHEELS 12 KG 34 EACH (PAIR) | |
| 92249993 | 92249993 | 1 | STEEL CAGE WHEELS D. 58 (PAIR) | |
| 92257779 | 92257779 | 1 | STEEL CAGE WHEELS DIAM CM 43 (PAIR) X SB20-SB30 | |



| | A | B | C | D |
|--------------|----------|-------------------|----------|------------------|
| 4.00 - 8" | 39114008 | 39414008 | 58043250 | 92243686 (kg.10) |
| 4.0 - 10" | 39114010 | 39415010 O | 58048330 | 92248715 (kg.15) |
| 5.0 - 10" | 39115010 | 39415010 | 58048330 | 92248715 (kg.15) |
| 5.00 - 12" | 39115012 | 39415012 | 58044804 | 92248720 (kg.34) |
| 6.5/80 - 12" | 39116018 | 39416018 | 58044804 | 92248720 (kg.34) |
| 6.5/80 - 15" | 39116020 | 39416020 | 58042746 | 92248720 (kg.34) |



700 serie **PS**
PowerSafe®

WHEELS
RUEDAS

RUOTE

ROUES
RÄDER

DALLA MACCHINA
FROM THE MACHINE
DE LA MACHINE
DE LA MAQUINA
AB DER MASCHINE

ON.

AGGIORNAMENTO
REVISION
MISE A JOUR
APLAZAMIENTO
ANPASSUNG

P01 1

11/2010

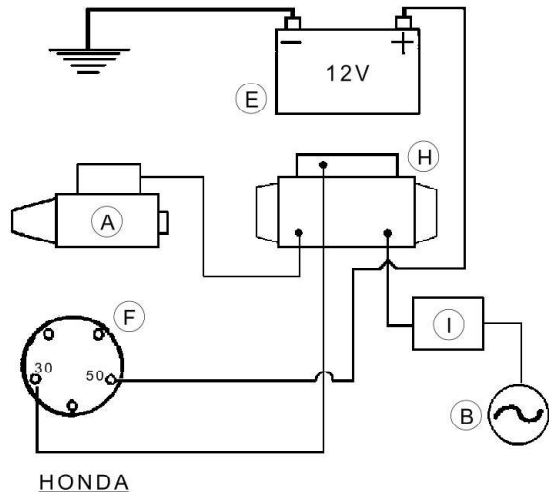
Rev.

ZENE

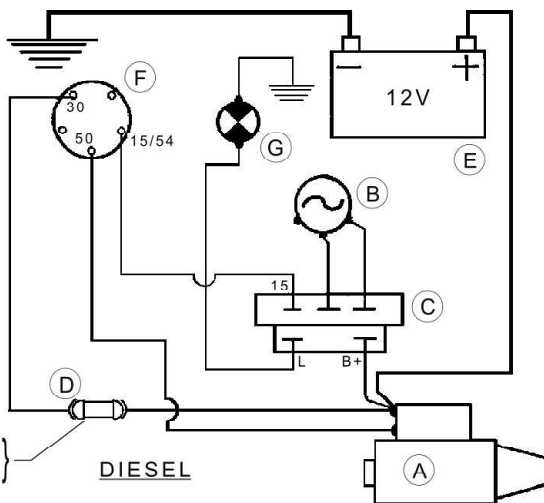


| Pos. | Id | Q.ty | Description | Note |
|----------|----------|------|---|------|
| 31211100 | 31211100 | 1 | NUT M10 | |
| 31312103 | 31312103 | 1 | STUD BOLT M10X46X24X16 | |
| 31423105 | 31423105 | 1 | SPRING WASHER 10,5 | |
| 39114008 | 39114008 | 1 | TYRE 4.00-8 2PR | |
| 39114010 | 39114010 | 1 | TYRE 4.0-10 2PR | |
| 39115010 | 39115010 | 1 | TYRE 5.00-10 2PR | |
| 39115012 | 39115012 | 1 | TYRE 5.00-12 2PR | |
| 39116018 | 39116018 | 1 | TYRE 6.5/80-12 2PR | |
| 39116020 | 39116020 | 1 | TYRE 6.5/80-15 4PR | |
| 39414008 | 39414008 | 1 | INNER TUBE X 4.00-8 | |
| 39415010 | 39415010 | 1 | INNER TUBE X 4.0/5.0-10 | |
| 39415012 | 39415012 | 1 | INNER TUBE | |
| 39416018 | 39416018 | 1 | INNER TUBE X 6-5/80-12 | |
| 39416020 | 39416020 | 1 | INNER TUBE X 6.5/80-15 | |
| 53143712 | 53143712 | 1 | SPACER | |
| 58042746 | 58042746 | 1 | RIM 5J15 CR | |
| 58043250 | 58043250 | 1 | RIM 2.50-8 | |
| 58044804 | 58044804 | 1 | RIM 5JA12 | |
| 58048330 | 58048330 | 1 | RIM 3.50D10 CR | |
| 92242460 | 92242460 | 1 | TWINNING RINGS CM 49 (PAIR) | |
| 92242474 | 92242474 | 1 | STEEL CAGE WHEELS 49 CM (PAIR) FOR XB 40 | |
| 92243685 | 92243685 | 1 | WHEEL SPACERS CM 6 (PAIR) | |
| 92243686 | 92243686 | 1 | PAIR OF WEIGHTS FOR 8 WHEELS 11 KGS | |
| 92248715 | 92248715 | 1 | WEIGHTS FOR WHEELS 10 EACH KG 15 (PAIR) | |
| 92248720 | 92248720 | 1 | WEIGHTS FOR WHEELS 12 KG 34 EACH (PAIR) | |
| 92249993 | 92249993 | | STEEL CAGE WHEELS D. 58 (PAIR) | |
| 92257779 | 92257779 | 1 | STEEL CAGE WHEELS DIAM CM 43 (PAIR) X SB20-SB30 | |



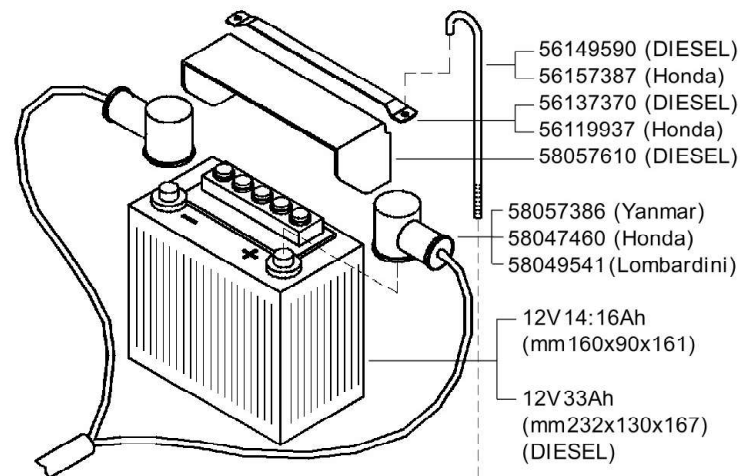


HONDA



(Yanmar) 15A
(Lombardini) 25A

DIESEL



56149590 (DIESEL)
56157387 (Honda)
56137370 (DIESEL)
56119937 (Honda)
58057610 (DIESEL)

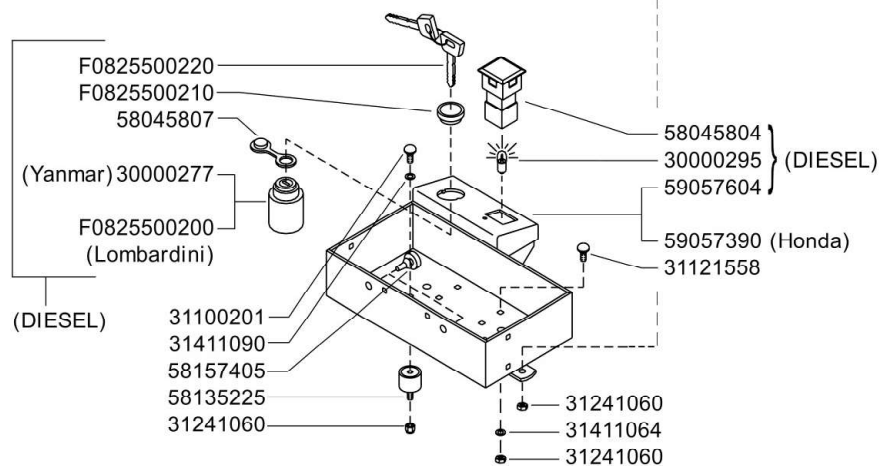
58057386 (Yanmar)
58047460 (Honda)
58049541 (Lombardini)

12V 14:16Ah
(mm160x90x161)

12V 33Ah
(mm232x130x167)
(DIESEL)

| A | B | C | D |
|---|---|--|---|
| MOTORINOD'AVVIAMENTO STARTER DÉMARREUR MOT. DE ARRANQUE ANLASSMOTOR | GENERATORE GENERATOR GÉNÉRATEUR GENERADOR GENERATOR | REGOLATORE REGULATOR RÉGULATEUR REGULADOR REGLER | FUSIBILI FUSES FUSIBLES FUSIBLES SCHMELZSICHERUNGEN |

| E | F | G | H | I |
|--|---|--|---|---|
| BATTERIA BATTERY BATTERIE BATERIA BATTERIE | INTERRUTTORE SWITCH INTERRUPTEUR INTERRUPTOR SCHALTER | SPIACARICABATTERIA BATTERY LONG WARN. LIGHT TEMOIN CHARG. BATTERIE LUZ CARGA BATERIA BATTERIE LADUNG KTRL. LAMPE | SOLENOIDE SOLENOID SOLÉNOÏDE SOLENOÏDE SOLENOID | DIODO DIODE DIODE DIODO DIODE |



F0825500220
F0825500210
58045807

(Yanmar) 30000277

F0825500200
(Lombardini)

(DIESEL)

31100201
31411090
58157405
58135225
31241060

58045804
30000295 (DIESEL)
59057604

59057390 (Honda)
31121558

31241060
31411064
31241060



700 serie PS
PowerSafe®

AVVIAMENTO ELETTRICO

ELECTRIC STARTER
ARRANQUE ELECTRICO

DÉMARRAGE ELECTRIQUE
ELEKTROSTART

DALLA MACCHINA
FROM THE MACHINE
DE LA MACHINE
DE LA MAQUINA
AB DER MASCHINE

N.

Rev. **Q01 0**

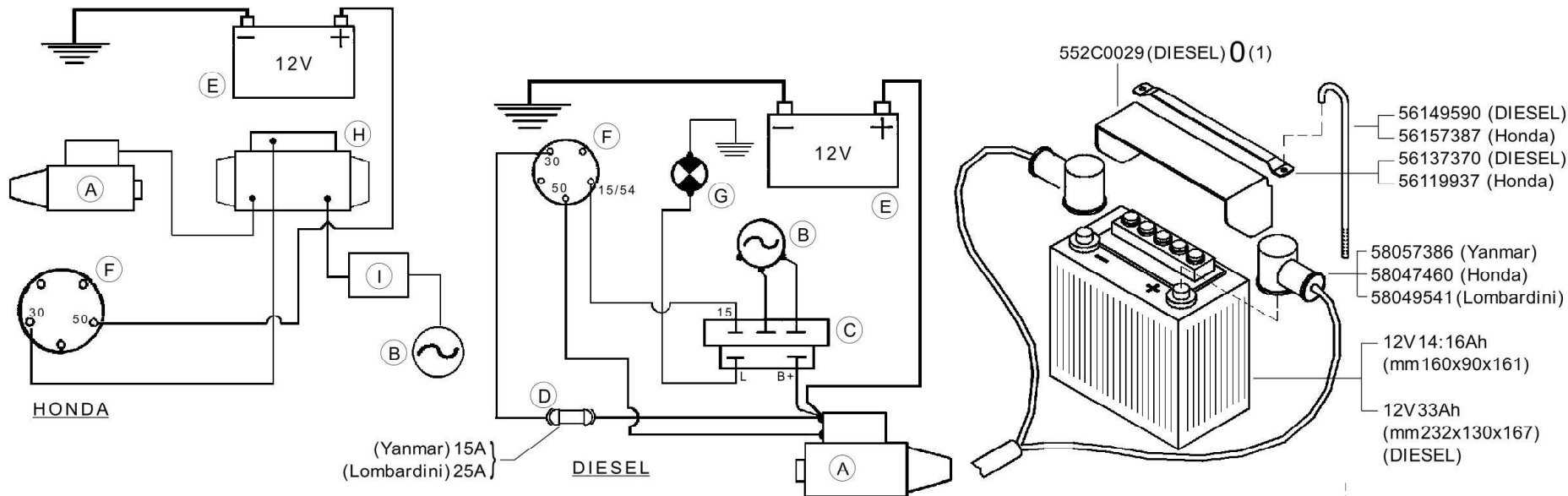
05/2009

ZENE



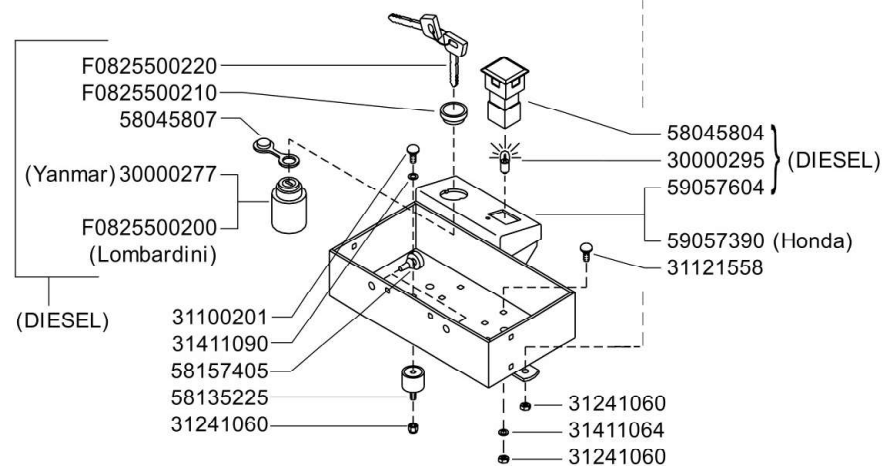
| Pos. | Id | Q.ty | Description | Note |
|-------------|-------------|------|--------------------------|------|
| 30000277 | 30000277 | 1 | SWITCH | |
| 30000295 | 30000295 | 1 | LAMP 12V-5W-W2,1X9,5D | |
| 31100201 | 31100201 | 1 | SCREW TTQ M6X12 UNI 5731 | |
| 31121558 | 31121558 | | SCREW TTQ M6X16 UNI 5731 | |
| 31241060 | 31241060 | 1 | HEXAGON SELFLOCK NUT M6 | |
| 31411064 | 31411064 | 1 | WASHER 6,4x12,5 | |
| 31411090 | 31411090 | 1 | WASHER 9x24 | |
| 56119937 | 56119937 | 1 | BATTERY SUPPORT | |
| 56137370 | 56137370 | 1 | BATTERY BRACKET | |
| 56149590 | 56149590 | 1 | BATTERY BRACKET | |
| 56157387 | 56157387 | 1 | ROD | |
| 58045804 | 58045804 | 1 | WARNING LIGHT | |
| 58045807 | 58045807 | 1 | LOCK COVER | |
| 58047460 | 58047460 | 1 | WIRING | |
| 58049541 | 58049541 | 1 | WIRING | |
| 58057386 | 58057386 | 1 | WIRING | |
| 58057610 | 58057610 | 1 | BOX | |
| 58135225 | 58135225 | | VIBRATION-DAMPING | |
| 58157405 | 58157405 | 1 | PLUG | |
| 59057390 | 59057390 | 1 | BOX | |
| 59057604 | 59057604 | 1 | BOX | |
| F0825500200 | F0825500200 | 1 | CHANGE-OVER SWITCH | |
| F0825500210 | F0825500210 | 1 | RING NUT | |
| F0825500220 | F0825500220 | 1 | KEY | |





| A | B | C | D |
|---|---|--|---|
| MOTORINOD'AVVIAMENTO STARTER DÉMARREUR MOT. DE ARRANQUE ANLASSMOTOR | GENERATORE GENERATOR GÉNÉRATEUR GENERADOR GENERATOR | REGOLATORE REGULATOR RÉGULATEUR REGULADOR REGLER | FUSIBILI FUSES FUSIBLES FUSIBLES SCHMELZSICHERUNGEN |

| E | F | G | H | I |
|--|---|---|---|---|
| BATTERIA BATTERY BATTERIE BATERIA BATTERIE | INTERRUTTORE SWITCH INTERRUPTEUR INTERRUPTOR SCHALTER | SPIACARICABATTERIA BATTERY LONG WARN. LIGHT TEMOIN CHARG. BATTERIE LUZ CARGA BATERIA BATTERIE LADUNGKTRL. LAMPE | SOLENOIDE SOLENOID SOLÉNOÏDE SOLENOÏDE SOLENOID | DIODO DIODE DIODE DIODO DIODE |



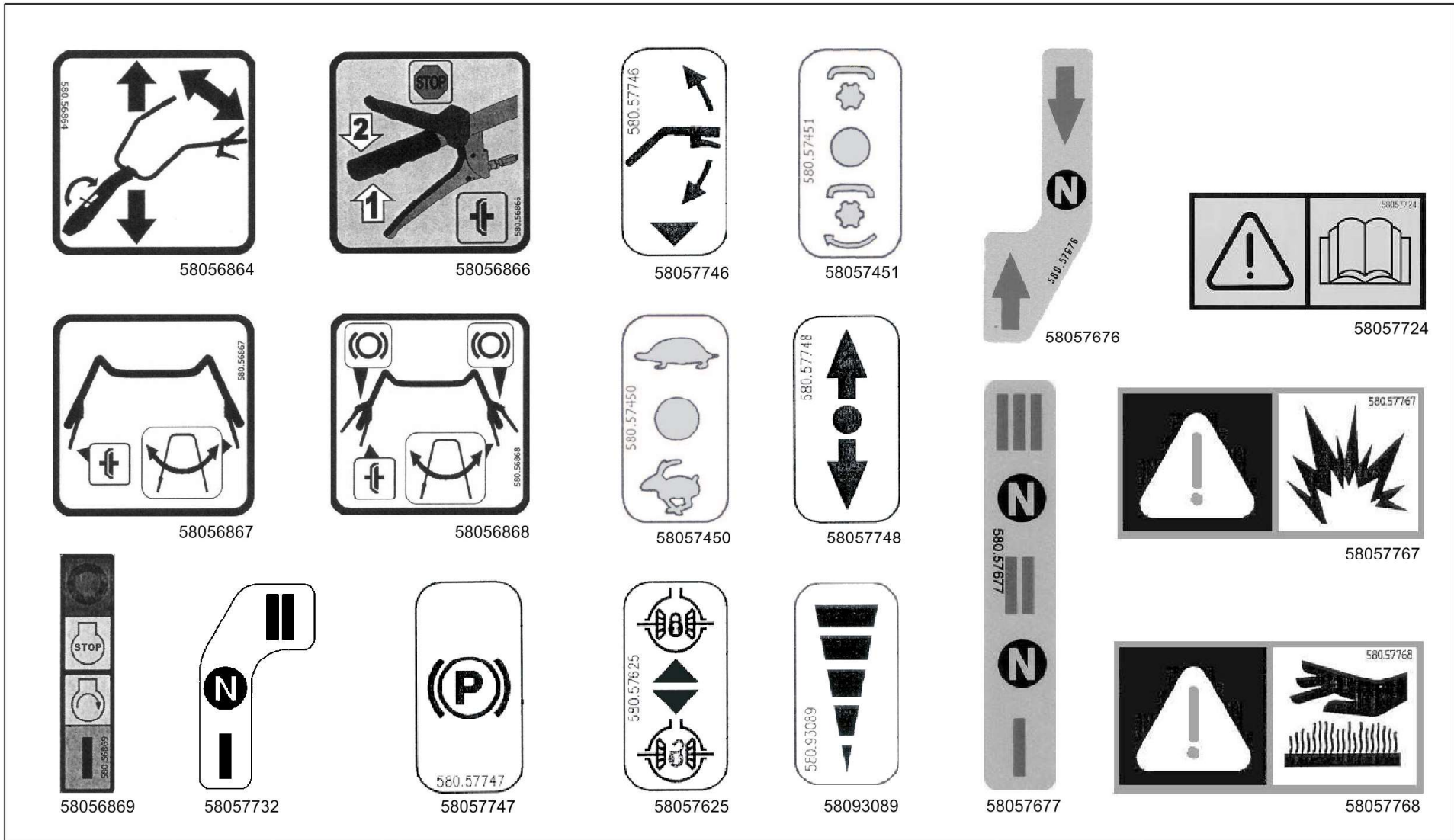
(1) sostituisce **58057610**

| | | | | | |
|--|--|--|--------------------------------------|---|----------------------|
| | 700 serie PS PowerSafe® | AVVIAMENTO ELETTRICO | | DALLA MACCHINA FROM THE MACHINE DE LA MACHINE DE LA MAQUINA AB DER MASCHINE ON. | Rev. Q01 1 |
| | | ELECTRIC STARTER ARRANQUE ELECTRICO | DÉMARRAGE ELECTRIQUE ELEKTROSTART | | |



| Pos. | Id | Q.ty | Description | Note |
|-------------|-------------|------|--------------------------|------|
| 30000277 | 30000277 | 1 | SWITCH | |
| 30000295 | 30000295 | 1 | LAMP 12V-5W-W2,1X9,5D | |
| 31100201 | 31100201 | 1 | SCREW TTQ M6X12 UNI 5731 | |
| 31121558 | 31121558 | | SCREW TTQ M6X16 UNI 5731 | |
| 31241060 | 31241060 | 1 | HEXAGON SELFLOCK NUT M6 | |
| 31411064 | 31411064 | 1 | WASHER 6,4x12,5 | |
| 31411090 | 31411090 | 1 | WASHER 9x24 | |
| 552C0029 | 552C0029 | 1 | COVER | |
| 56119937 | 56119937 | 1 | BATTERY SUPPORT | |
| 56137370 | 56137370 | 1 | BATTERY BRACKET | |
| 56149590 | 56149590 | 1 | BATTERY BRACKET | |
| 56157387 | 56157387 | 1 | ROD | |
| 58045804 | 58045804 | 1 | WARNING LIGHT | |
| 58045807 | 58045807 | 1 | LOCK COVER | |
| 58047460 | 58047460 | 1 | WIRING | |
| 58049541 | 58049541 | 1 | WIRING | |
| 58057386 | 58057386 | 1 | WIRING | |
| 58135225 | 58135225 | | VIBRATION-DAMPING | |
| 58157405 | 58157405 | 1 | PLUG | |
| 59057390 | 59057390 | 1 | BOX | |
| 59057604 | 59057604 | 1 | BOX | |
| F0825500200 | F0825500200 | 1 | CHANGE-OVER SWITCH | |
| F0825500210 | F0825500210 | 1 | RING NUT | |
| F0825500220 | F0825500220 | 1 | KEY | |





| | | | | | | | | | | | | | | | |
|----------------|---|--|---|---|--|--|--|--|---|------|--|------------|----------|----------------|--|
| | 700 serie PS <i>PowerSafe</i> ® | ADESIME STICKERS ADHESIVOS AUTOCOLLANTS AUFKLEBES | DALLA MACCHINA FROM THE MACHINE DE LA MACHINE DE LA MAQUINA AB DER MASCHINE N. | <table border="1"> <tr><td> </td></tr> <tr><td> </td></tr> <tr><td> </td></tr> <tr><td> </td></tr> </table> | | | | | <table border="1"> <tr> <td>Rev.</td> <td> </td> </tr> <tr> <td>R01</td> <td>0</td> </tr> <tr> <td colspan="2">05/2009</td> </tr> </table> | Rev. | | R01 | 0 | 05/2009 | |
| | | | | | | | | | | | | | | | |
| | | | | | | | | | | | | | | | |
| | | | | | | | | | | | | | | | |
| | | | | | | | | | | | | | | | |
| Rev. | | | | | | | | | | | | | | | |
| R01 | 0 | | | | | | | | | | | | | | |
| 05/2009 | | | | | | | | | | | | | | | |

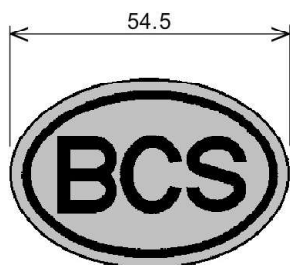


| Pos. | Id | Q.ty | Description | Note |
|----------|----------|------|-------------|------|
| 58056864 | 58056864 | 1 | DECAL | |
| 58056866 | 58056866 | 1 | DECAL | |
| 58056867 | 58056867 | 1 | DECAL | |
| 58056868 | 58056868 | 1 | DECAL | |
| 58056869 | 58056869 | 1 | DECAL | |
| 58057450 | 58057450 | 1 | DECAL | |
| 58057451 | 58057451 | 1 | DECAL | |
| 58057625 | 58057625 | 1 | DECAL | |
| 58057676 | 58057676 | 1 | DECAL | |
| 58057677 | 58057677 | 1 | DECAL | |
| 58057724 | 58057724 | 1 | DECAL | |
| 58057732 | 58057732 | 1 | DECAL | |
| 58057746 | 58057746 | 1 | DECAL | |
| 58057747 | 58057747 | 1 | DECAL | |
| 58057748 | 58057748 | 1 | DECAL | |
| 58057767 | 58057767 | 1 | DECAL | |
| 58057768 | 58057768 | 1 | DECAL | |
| 58093089 | 58093089 | 1 | DECAL | |



710

58057647



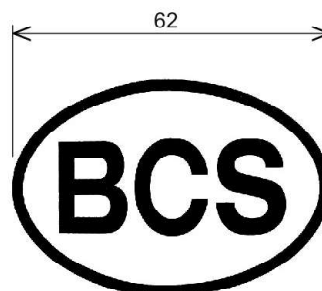
58057643



53093088

720

58057648



53048656

730

58057649



53057666

740

58057668

746

58057456



58057759



700 serie PS
PowerSafe®

ADESIME

STICKERS
ADHESIVOS

AUTOCOLLANTS
AUFKLEBES

DALLA MACCHINA
FROM THE MACHINE
DE LA MACHINE
DE LA MAQUINA
AB DER MASCHINE

N.

Rev.
R02 0

05/2009

ZENE

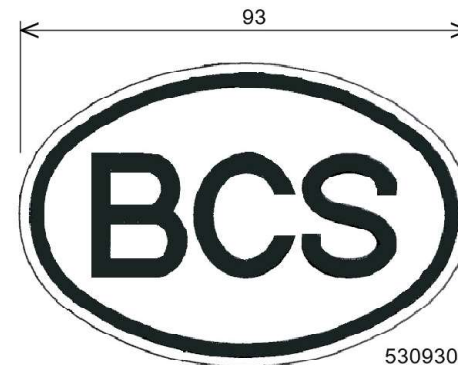


| Pos. | Id | Q.ty | Description | Note |
|----------|----------|------|------------------|------|
| 53048656 | 53048656 | 1 | OVAL LOGO | |
| 53057666 | 53057666 | 1 | POWERSAFE BRAND | |
| 53093088 | 53093088 | 1 | OVAL LOGO | |
| 58057456 | 58057456 | 1 | DECAL 746 PS | |
| 58057643 | 58057643 | 1 | OVAL LOGO | |
| 58057647 | 58057647 | 1 | DECAL 710 ACTION | |
| 58057648 | 58057648 | 1 | DECAL 720 ACTION | |
| 58057649 | 58057649 | 1 | DECAL 730 ACTION | |
| 58057668 | 58057668 | 1 | DECAL 740 ACTION | |
| 58057759 | 58057759 | 1 | DECAL | |



PowerSafe®

53057666



53093088



58057759

710

58057647

720

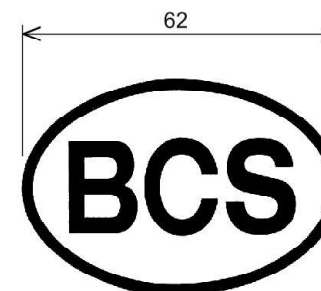
58057648

730

58057649

740

58057668



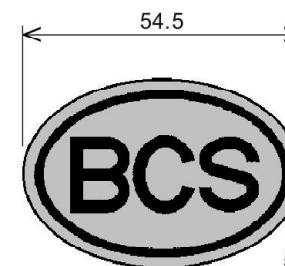
53048656

746

58057456

750

580584570



58057643



700 serie PS
PowerSafe®

ADESIME

STICKERS
ADHESIVOS

AUTOCOLLANTS
AUFKLEBES

DALLA MACCHINA
FROM THE MACHINE
DE LA MACHINE
DE LA MAQUINA
AB DER MASCHINE

ON.

AGGIORNAMENTO
REVISION
MISE A JOUR
APLAZAMIENTO
ANPASSUNG

R02 1

11/2010

Rev.

2/2010



| Pos. | Id | Q.ty | Description | Note |
|----------|----------|------|------------------|------|
| 53048656 | 53048656 | 1 | OVAL LOGO | |
| 53057666 | 53057666 | 1 | POWERSAFE BRAND | |
| 53093088 | 53093088 | 1 | OVAL LOGO | |
| 58057456 | 58057456 | 1 | DECAL 746 PS | |
| 58057643 | 58057643 | 1 | OVAL LOGO | |
| 58057647 | 58057647 | 1 | DECAL 710 ACTION | |
| 58057648 | 58057648 | 1 | DECAL 720 ACTION | |
| 58057649 | 58057649 | 1 | DECAL 730 ACTION | |
| 58057668 | 58057668 | 1 | DECAL 740 ACTION | |
| 58057759 | 58057759 | 1 | DECAL | |
| 58058457 | 58058457 | 1 | DECAL 750 /11 | |



PowerSafe [®]
1

EasyDrive [®]
2

710
3

720
4

730
5

740
6

746
7

750
8



| Pos. | Id | Q.ty | Description | Note |
|------|----------|------|-----------------|------|
| 1 | 53057666 | 1 | POWERSAFE BRAND | |
| 2 | 53057670 | 1 | DECAL | |
| 3 | 58058452 | 1 | DECAL 710 /11 | |
| 4 | 58058453 | 1 | DECAL 720/11 | |
| 5 | 58058454 | 1 | DECAL 730 /11 | |
| 6 | 58058455 | 1 | DECAL 740 /11 | |
| 7 | 58058456 | 1 | DECAL 746 /11 | |
| 8 | 58058457 | 1 | DECAL 750 /11 | |
| 9 | 53093088 | 1 | OVAL LOGO | |
| 10 | 53048656 | 1 | OVAL LOGO | |
| 11 | 53058450 | 1 | SMALL OVAL LOGO | |



PowerSafe ®

1

EasyDrive ®

2



11

710

3

720

4

730

5



12

740

6

746

7

750

8

728

9

738

10

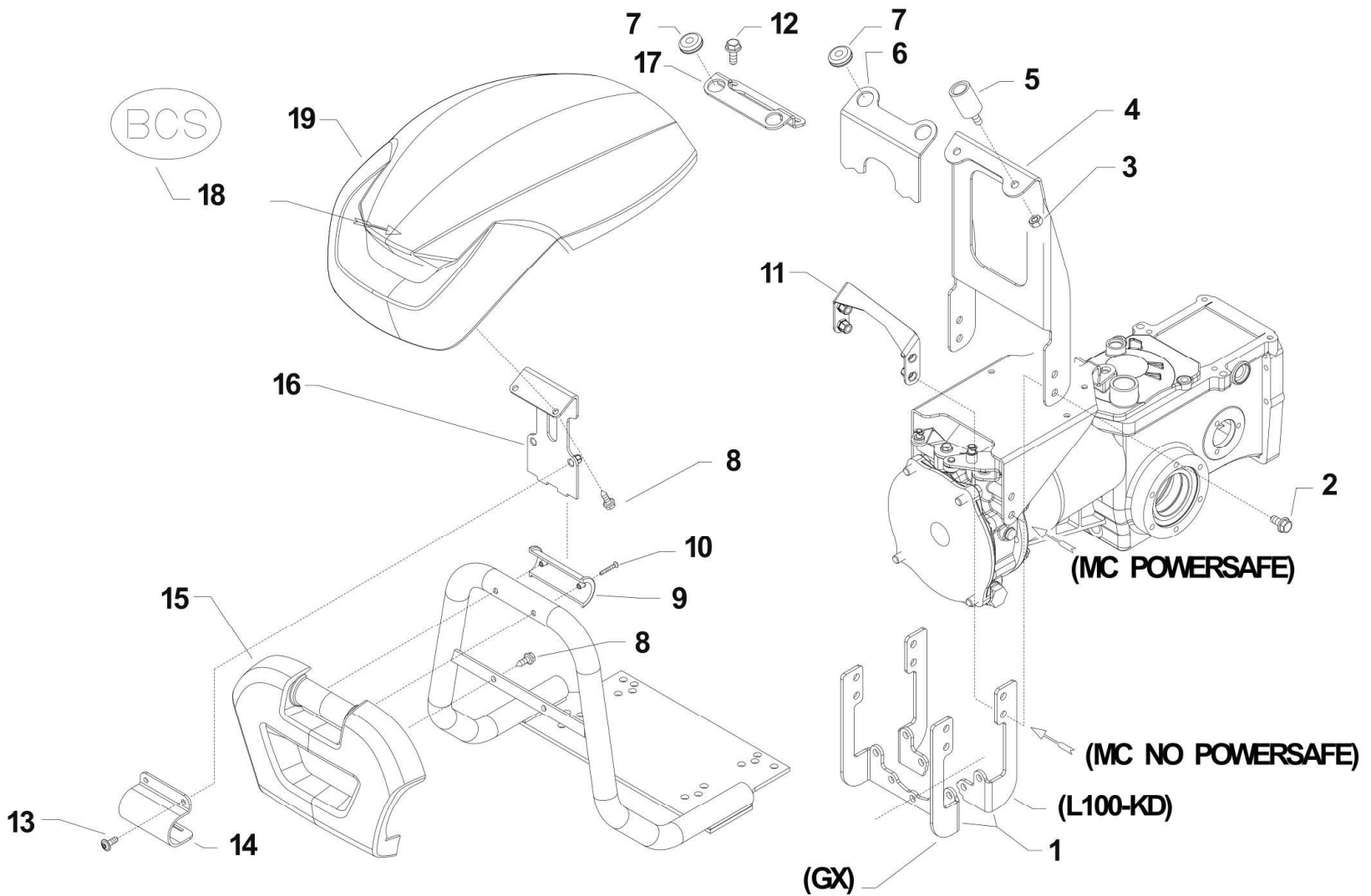


13



| Pos. | Id | Q.ty | Description | Note |
|------|----------|------|-----------------|------|
| 1 | 53057666 | 1 | POWERSAFE BRAND | |
| 2 | 53057670 | 1 | DECAL | |
| 3 | 58058452 | 1 | DECAL 710 /11 | |
| 4 | 58058453 | 1 | DECAL 720/11 | |
| 5 | 58058454 | 1 | DECAL 730 /11 | |
| 6 | 58058455 | 1 | DECAL 740 /11 | |
| 7 | 58058456 | 1 | DECAL 746 /11 | |
| 8 | 58058457 | 1 | DECAL 750 /11 | |
| 9 | 58058485 | 1 | DECAL 728 /11 | |
| 10 | 58058484 | 1 | DECAL 738 /11 | |
| 11 | 53093088 | 1 | OVAL LOGO | |
| 12 | 53048656 | 1 | OVAL LOGO | |
| 13 | 53058450 | 1 | SMALL OVAL LOGO | |






i = info - stop 2 sec. ★ = new part



| Pos. | Id | Q.ty | Description | Note |
|------|-----------|------|---------------------------------------|---|
| 1 | 56157515N | | HOLDER | NO POWERSAFE |
| 2 | 31112170 | | SCREW TE C/F M8X20 DIN 6921 | |
| 3 | 31211080 | | NUT M8 | |
| 4 | 56157498N | | SUPPORT | KD 440 - 15LD500 |
| 4 | 56157499N | | SUPPORT | KD350 - GX340 - GX 390 - POWERSAFE SERIES |
| 4 | 56157513N | | SUPPORT | GX270 |
| 4 | 56157516N | | SUPPORT | L100 |
| 5 | 58042111 | | STOPPER | |
| 6 | 56157495N | | SUPPORT | KD350 - NO POWERSAFE SERIES |
| 7 | 58056991 | | CABLE GLAND 90/200/30 | |
| 8 | 31510100 | | RIBBED SCREW 6,3X19 UNI 6950 | |
| 9 | 55257522 | | HALF BEARING | |
| 10 | 31100451 | | SCREW 3,5X25 | |
| 11 | 59257488 | | SUPPORT | |
| 12 | 31112171 | | SCREW TE C/F M8X16 DIN 6921 | 3LD510 |
| 13 | 31121018 | | SCREW TBCEI FLANG. M6X16 | |
| 14 | 56157519N | | RH HINGE | |
| 15 | 55257521 | | BCS FRONT PLASTIC DESCRIPTION MC 2010 | |
| 16 | 59257517 | | PLATE | KD440 - L100 |
| 16 | 59257523 | | PLATE | KD350 - GX |
| 16 | 592C0080 | | PLATE | 3LD510 |
| 17 | 561C0078N | | REAR SUPPORT | 3LD510 |
| 18 | 53048656 | | OVAL LOGO | |
| 19 | 55257520 | | BONNET | |

